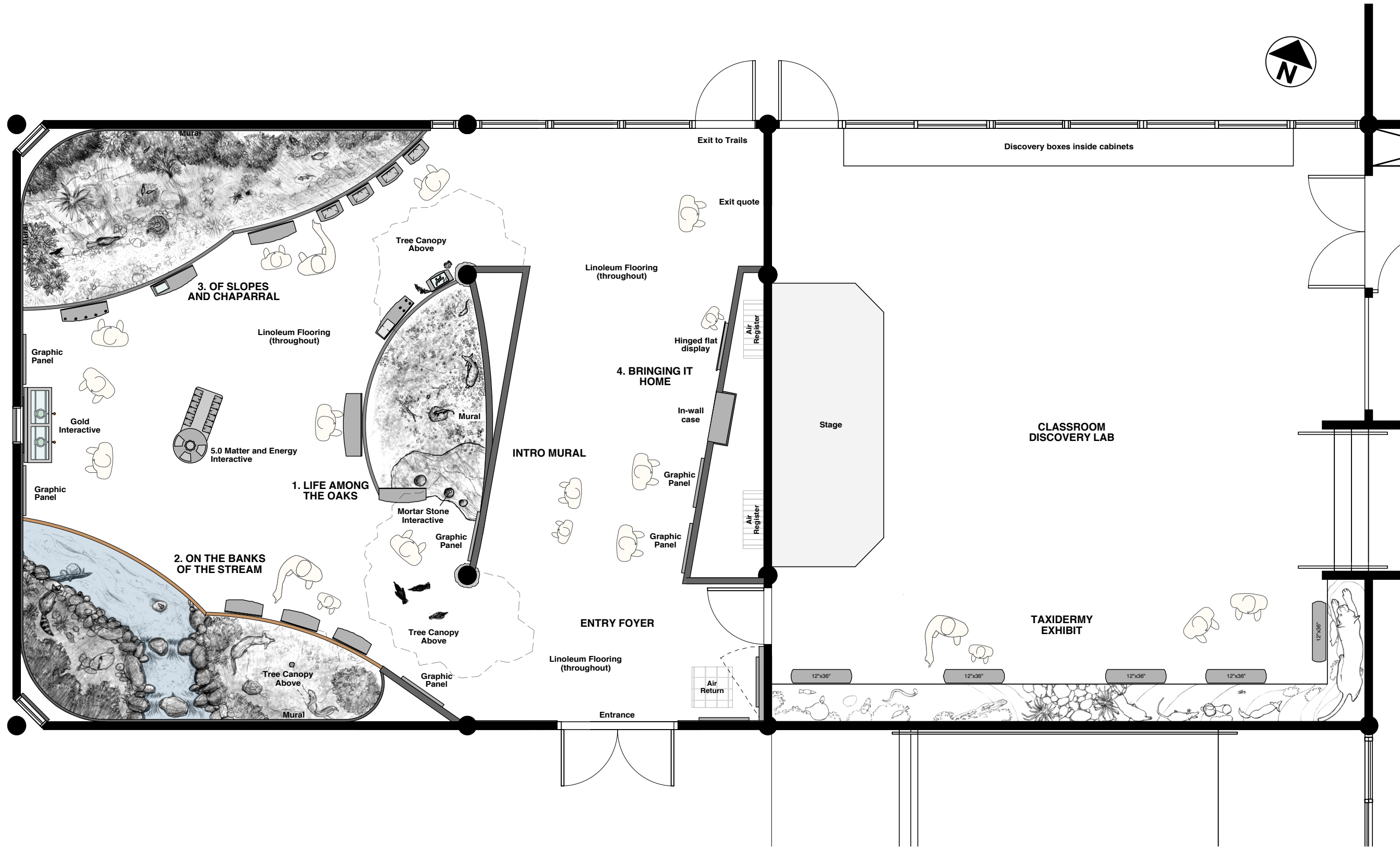


Placerita Canyon Nature Center

Exhibits

Final Design
95% Progress Set
4 February 2014





1 Plan
Scale: 3/16" = 1'-0"

JAMES FREED & Associates
Exhibit Design

896 Matsuda Lane
Sebastopol, CA 95472
(707) 823-5214
jamesfreed.design@mac.com

All concepts, designs and plans represented by this document are the property of James Freed & Associates and are for use on the project specified in this document. None of such concepts, designs or plans shall be used by any person, firm or corporation for any purpose without the prior written permission of James Freed & Associates. Copyright 2014.

Placerita Canyon Nature Center



19152 Placerita Canyon Rd.
Newhall, CA, 91321

Placerita Canyon Exhibits

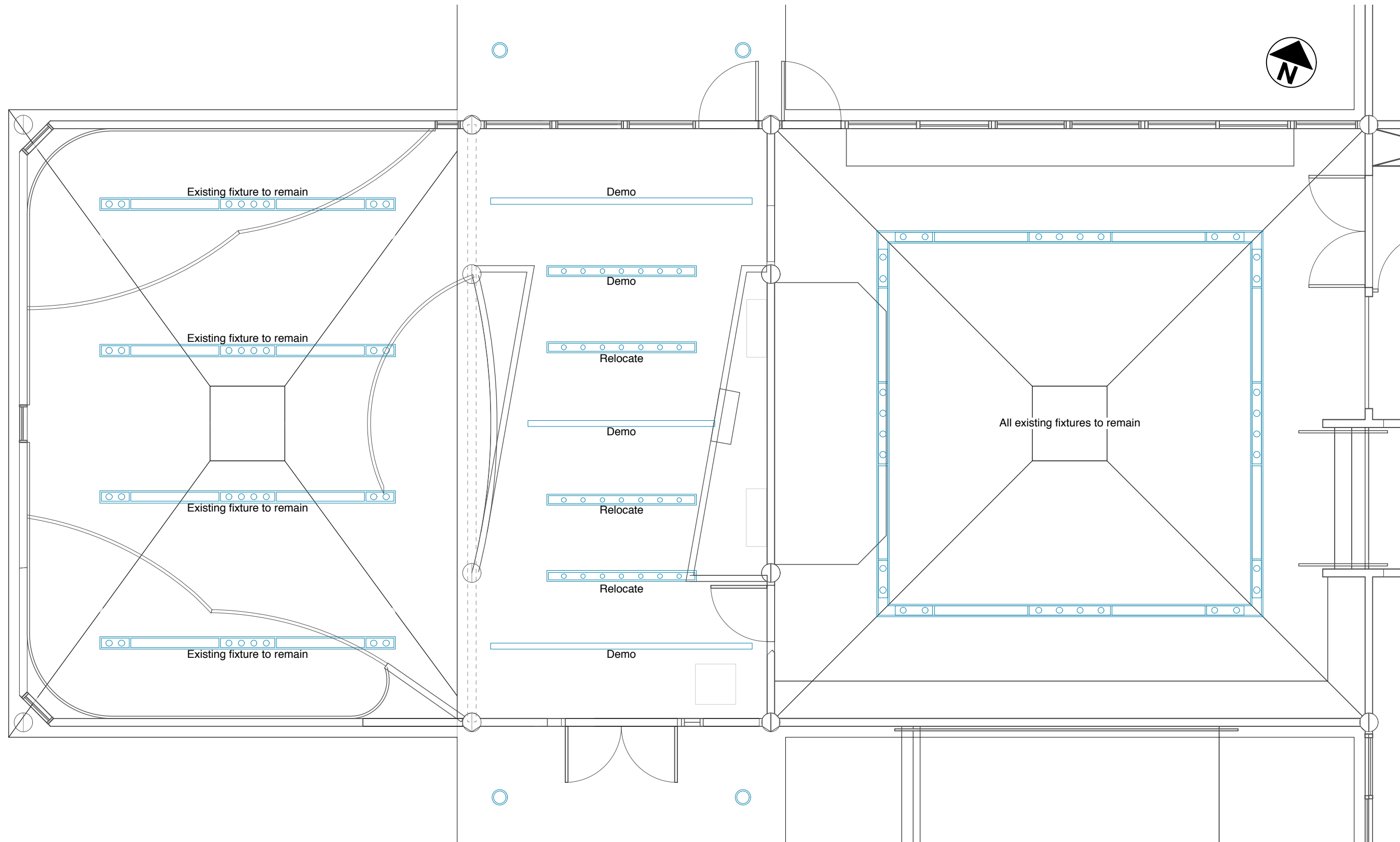
Final Design

Issue Date:
4 February 2014

Revision Date:

Overall Plan

Ex 01.00



1 RCP Existing/Demo Lighting
 Scale: 3/16" = 1'-0"

All concepts, designs and plans represented by this document are the property of James Freed & Associates and are for use on the project specified in this document. None of such concepts, designs or plans shall be used by any person, firm or corporation for any purpose without the prior written permission of James Freed & Associates. Copyright 2014.

**Placerita Canyon
 Nature Center**



19152 Placerita Canyon Rd.
 Newhall, CA, 91321

**Placerita Canyon
 Exhibits**

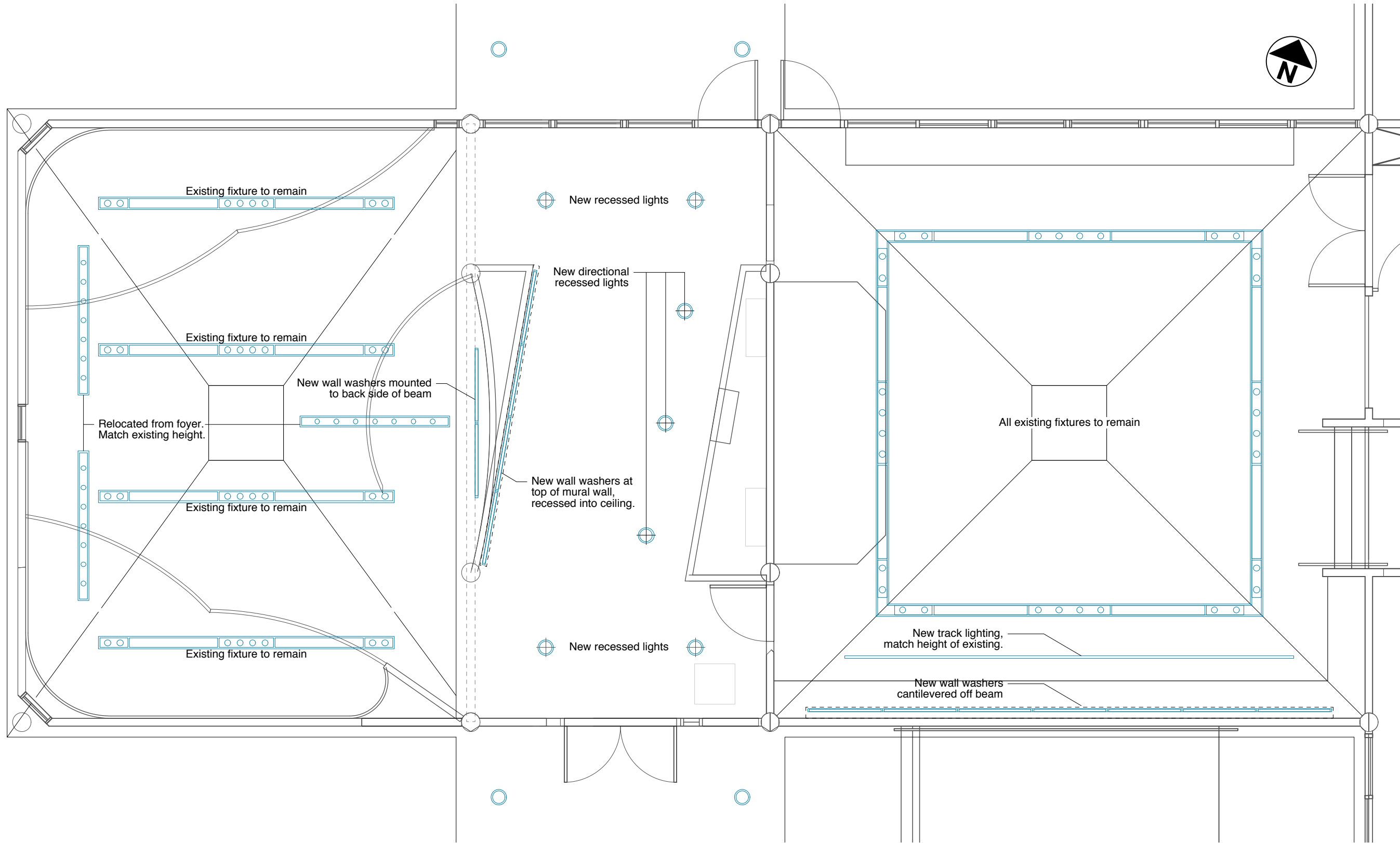
Final Design

Issue Date:
4 February 2014

Revision Date:

RCP Existing/Demo
 Lighting

Ex 01.01



1 RCP New Lighting
 Scale: 3/16" = 1'-0"

All concepts, designs and plans represented by this document are the property of James Freed & Associates and are for use on the project specified in this document. None of such concepts, designs or plans shall be used by any person, firm or corporation for any purpose without the prior written permission of James Freed & Associates. Copyright 2014.

Placerita Canyon Nature Center



19152 Placerita Canyon Rd.
 Newhall, CA, 91321

Placerita Canyon Exhibits

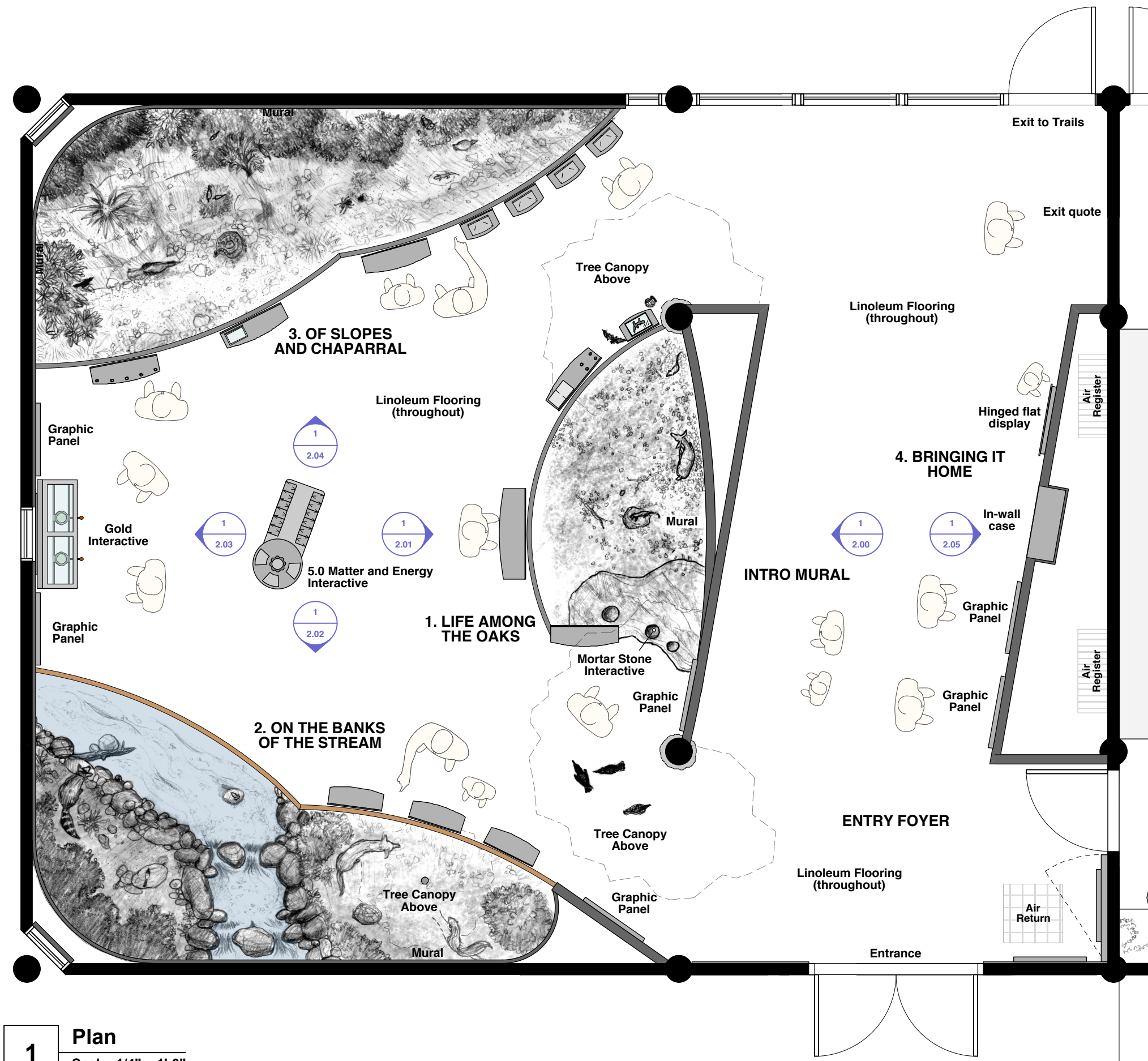
Final Design

Issue Date:
4 February 2014

Revision Date:

RCP New Lighting

Ex 01.02



1 Plan
Scale: 1/4" = 1'-0"

All concepts, designs and plans represented by this document are the property of James Freed & Associates and are for use on the project specified in this document. None of such concepts, designs or plans shall be used by any person, firm or corporation for any purpose without the prior written permission of James Freed & Associates. Copyright 2014.

Placerita Canyon Nature Center



19152 Placerita Canyon Rd.
Newhall, CA, 91321

Placerita Canyon Exhibits

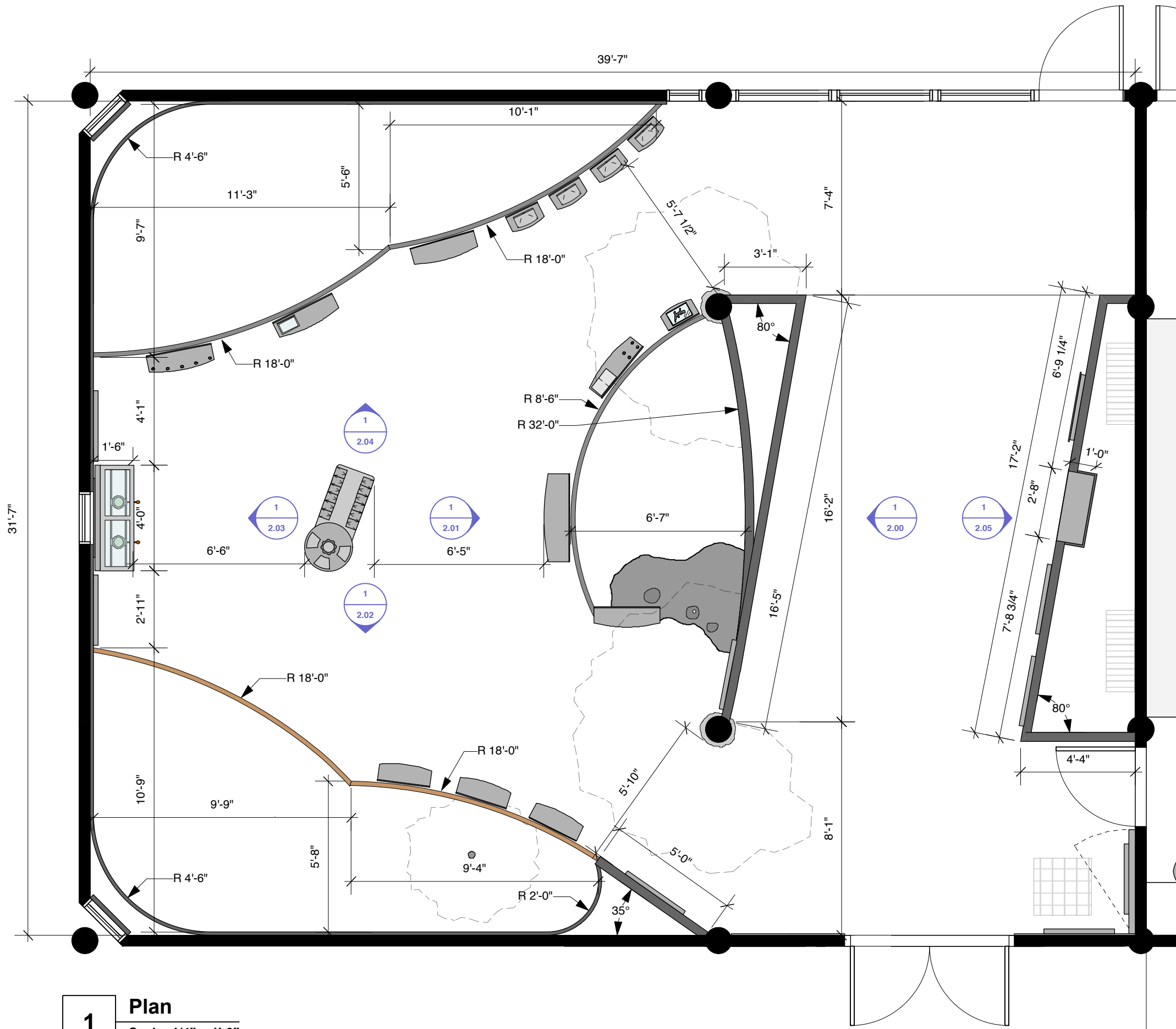
Final Design

Issue Date:
4 February 2014

Revision Date:

Exhibit Plan

Ex 01.03



1 Plan
Scale: 1/4" = 1'-0"

All concepts, designs and plans represented by this document are the property of James Freed & Associates and are for use on the project specified in this document. None of such concepts, designs or plans shall be used by any person, firm or corporation for any purpose without the prior written permission of James Freed & Associates. Copyright 2014.

Placerita Canyon Nature Center



19152 Placerita Canyon Rd.
Newhall, CA, 91321

Placerita Canyon Exhibits

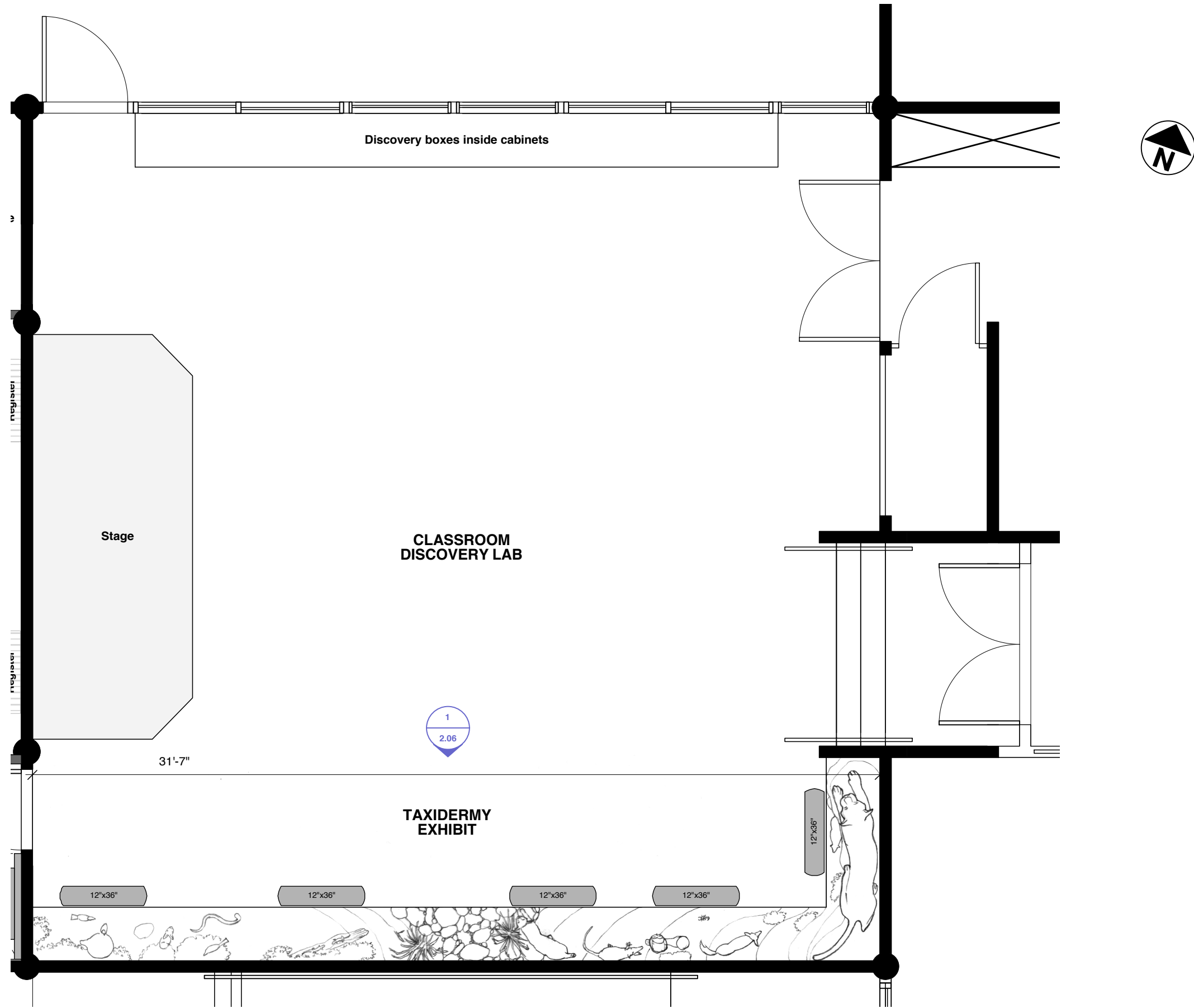
Final Design

Issue Date:
4 February 2014

Revision Date:

Dimension Plan

Ex 01.04



1
2.06

1 Plan
Scale: 1/4" = 1'-0"

JAMES FREED
& Associates
Exhibit Design

896 Matsuda Lane
Sebastopol, CA 95472
(707) 823-5214
jamesfreed.design@mac.com

All concepts, designs and plans represented by this document are the property of James Freed & Associates and are for use on the project specified in this document. None of such concepts, designs or plans shall be used by any person, firm or corporation for any purpose without the prior written permission of James Freed & Associates. Copyright 2014.

Placerita Canyon Nature Center



19152 Placerita Canyon Rd.
Newhall, CA, 91321

Placerita Canyon Exhibits

Final Design

Issue Date:
4 February 2014

Revision Date:

Classroom Plan

Ex 01.05

All concepts, designs and plans represented by this document are the property of James Freed & Associates and are for use on the project specified in this document. None of such concepts, designs or plans shall be used by any person, firm or corporation for any purpose without the prior written permission of James Freed & Associates. Copyright 2014.

Placerita Canyon Nature Center



19152 Placerita Canyon Rd.
Newhall, CA, 91321

Placerita Canyon Exhibits

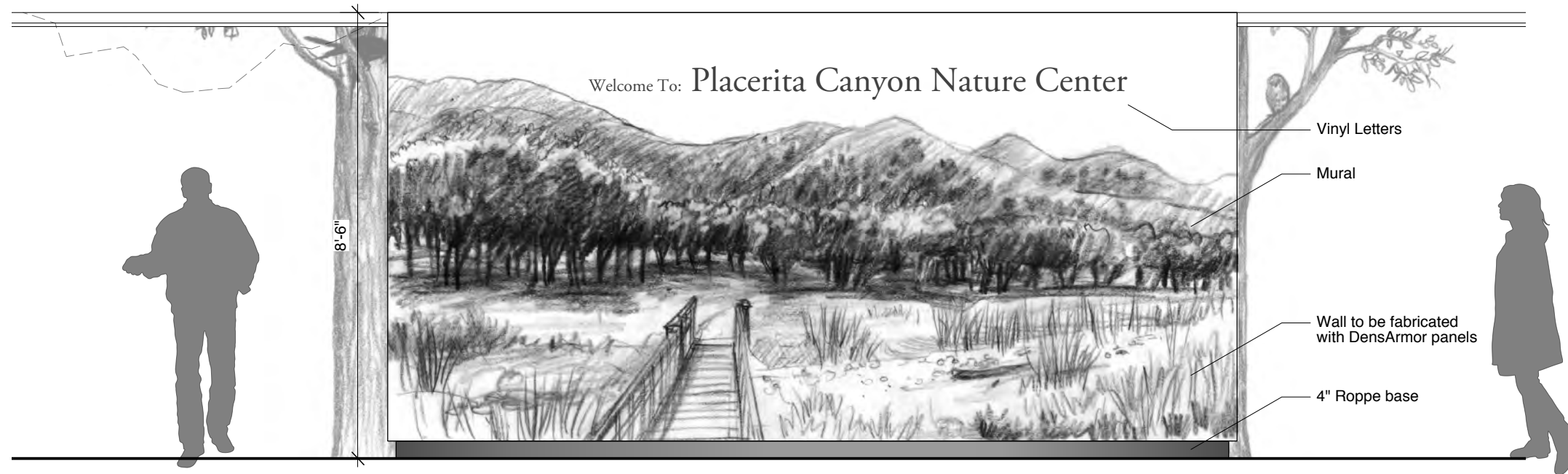
Final Design

Issue Date:
4 February 2014

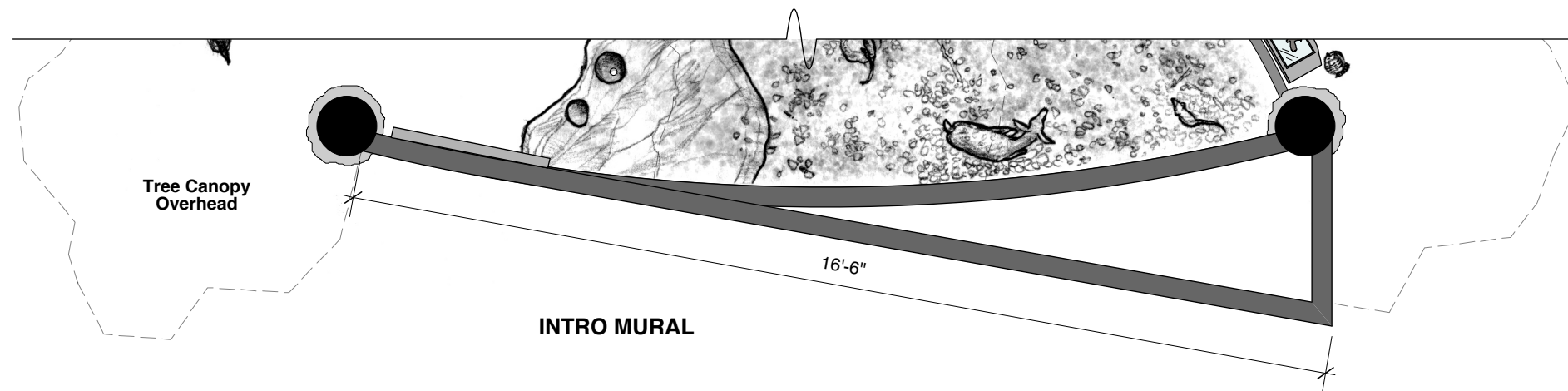
Revision Date:

Intro Mural

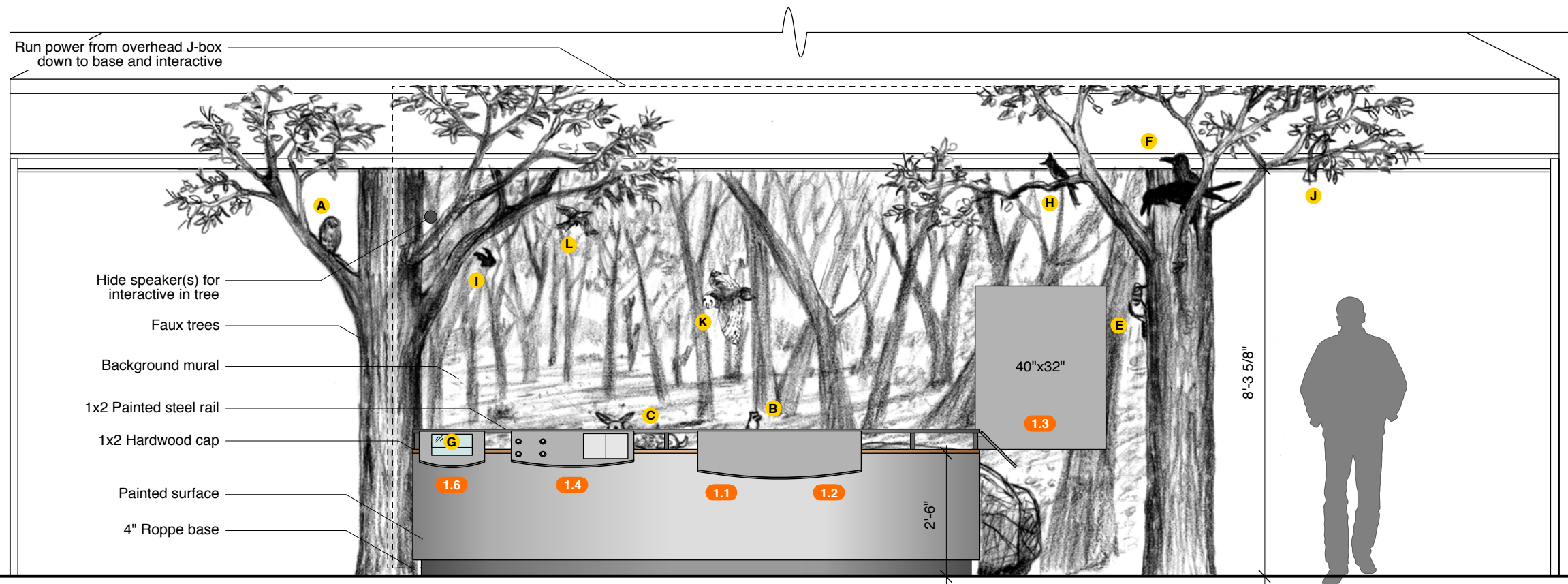
Ex 02.00



1 Elevation
Scale: 3/8"=1'-0"



2 Plan
Scale: 3/8"=1'-0"



1 Elevation
Scale: 3/8"=1'-0"

Life Among the Oaks

Species List:

- A** Spotted Owl
- B** Long Tailed Weasel
- C** Mule deer fawn
- D** Dusky Footed wood rat
- E** Acorn woodpecker *
- F** Ravens
- G** Arboreal salamander
- H** Stellar's Jay
- I** Pallid bat
- J** Northern Flicker
- K** Barn owl *
- L** Scrub jay *

* items in mural

Graphics Key List:

- 1.1** Trees of Life
- 1.2** Nature at Night
- 1.3** Native Land
- 1.4** Reading Rail - Bird Calls & Flip Book
- 1.5** Reading Rail - Acorns for Food
- 1.6** Reading Rail with salamander display

JAMES FREED & Associates
Exhibit Design

896 Matsuda Lane
Sebastopol, CA 95472
(707) 823-5214
jamesfreed.design@mac.com

All concepts, designs and plans represented by this document are the property of James Freed & Associates and are for use on the project specified in this document. None of such concepts, designs or plans shall be used by any person, firm or corporation for any purpose without the prior written permission of James Freed & Associates. Copyright 2014.

Placerita Canyon Nature Center



19152 Placerita Canyon Rd.
Newhall, CA, 91321

Placerita Canyon Exhibits

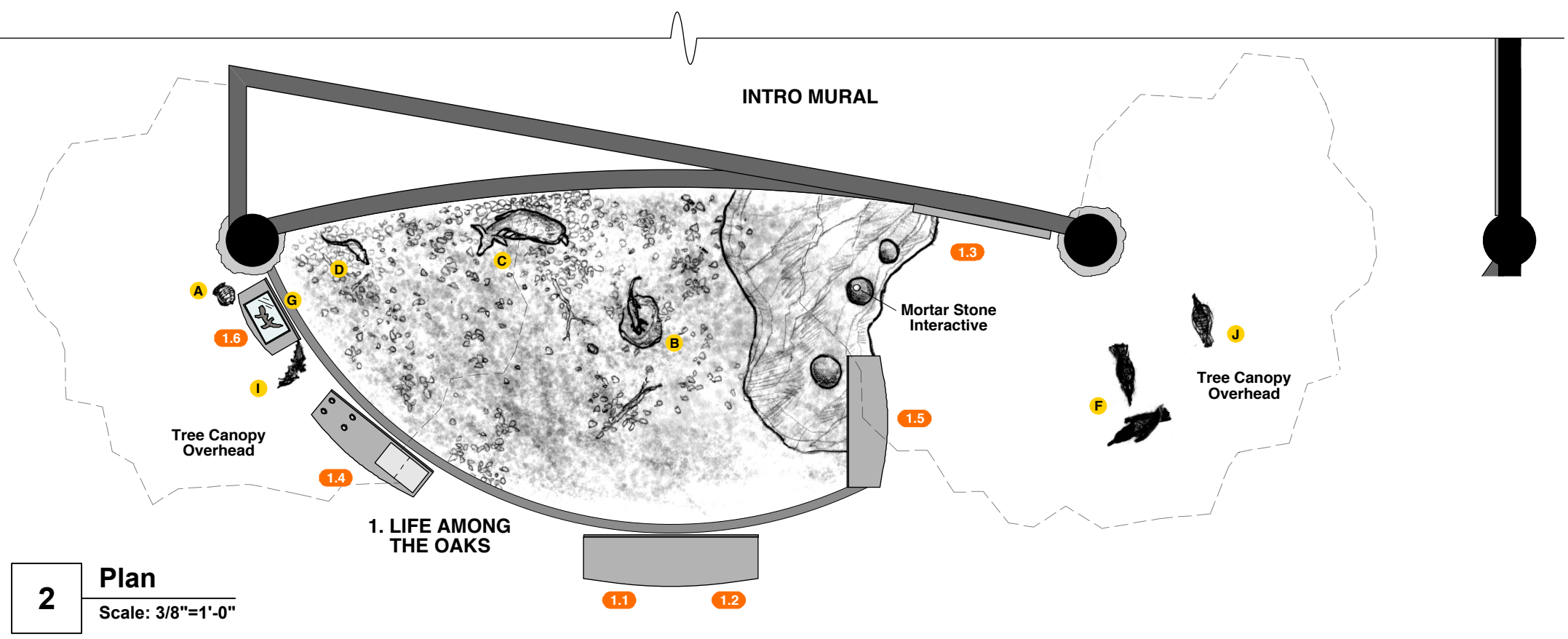
Final Design

Issue Date:
4 February 2014

Revision Date:

1. Life Among the Oaks

Ex 02.01



2 Plan
Scale: 3/8"=1'-0"

All concepts, designs and plans represented by this document are the property of James Freed & Associates and are for use on the project specified in this document. None of such concepts, designs or plans shall be used by any person, firm or corporation for any purpose without the prior written permission of James Freed & Associates. Copyright 2014.

Placerita Canyon Nature Center



19152 Placerita Canyon Rd.
Newhall, CA, 91321

Placerita Canyon Exhibits

Final Design

Issue Date:
4 February 2014

Revision Date:

2. On the Banks of the Stream

Ex 02.02

On the Banks of the Stream

Species List:

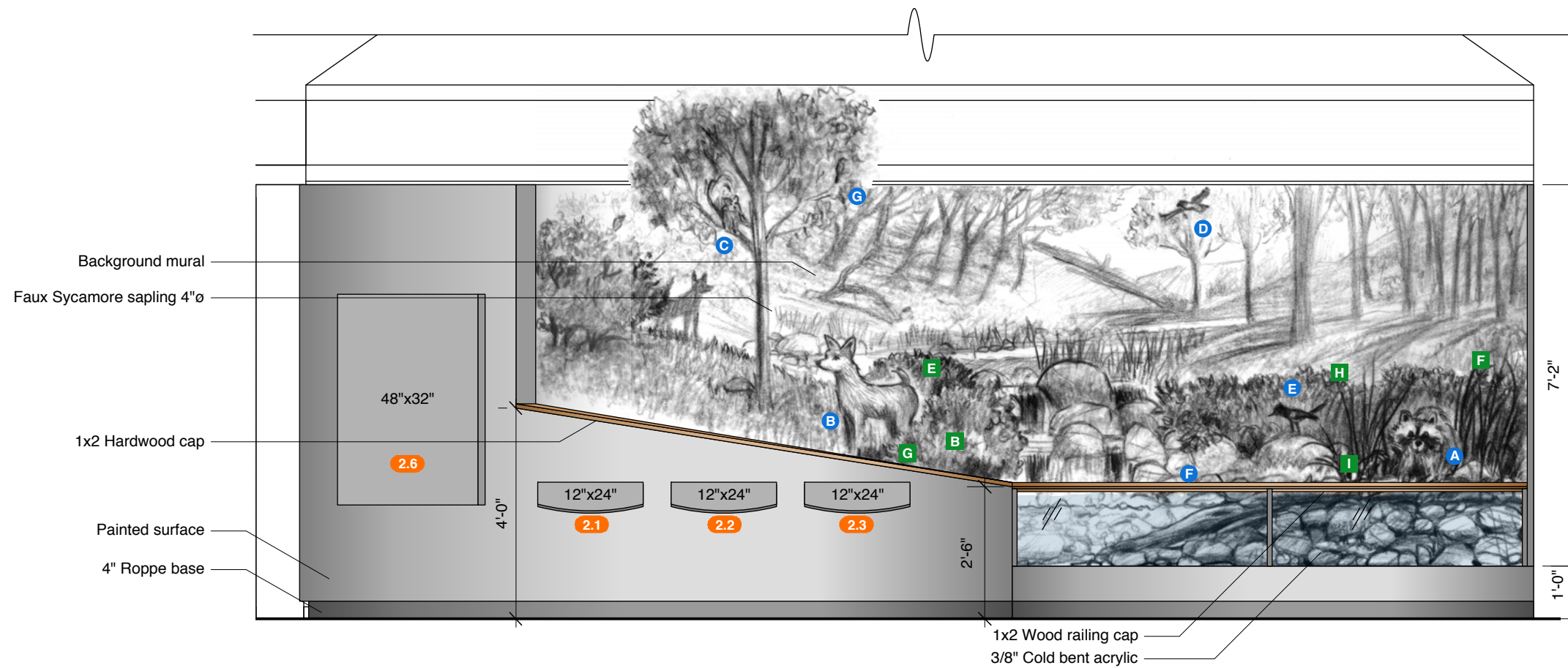
- A** Raccoon
 - B** Juvenile coyote (adult in mural*)
 - C** Western gray squirrel
 - D** Cooper's hawk*
 - E** Black phoebe
 - F** Baja California tree frog
 - G** Hermit thrush
- * items in mural

Plant List:

- A** Willow (arroyo and red)
- B** Mulefat
- C** Scarlet monkey flower
- D** Creek monkey flower
- E** Juncus
- F** Poison oak
- G** Wild rose
- H** Blackberry
- I** Miner's Lettuce

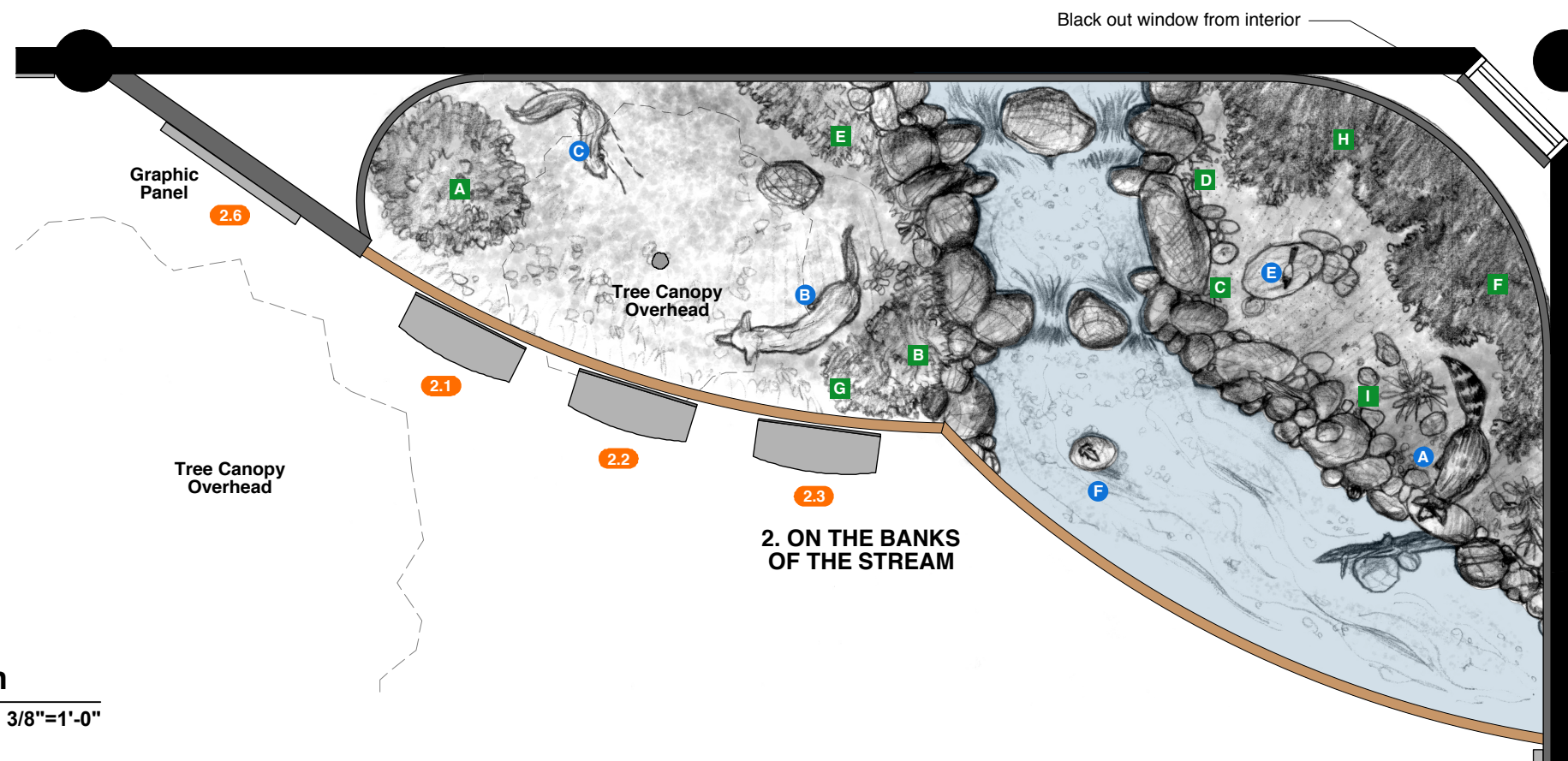
Graphics Key List:

- 2.1** Placerita Creek
- 2.2** From the Canyon to the Sea
- 2.3** Hidden in the Canyon
- 2.6** Placerita's Black Gold



1

Elevation
Scale: 3/8"=1'-0"



2

Plan
Scale: 3/8"=1'-0"

All concepts, designs and plans represented by this document are the property of James Freed & Associates and are for use on the project specified in this document. None of such concepts, designs or plans shall be used by any person, firm or corporation for any purpose without the prior written permission of James Freed & Associates. Copyright 2014.

Placerita Canyon Nature Center



19152 Placerita Canyon Rd.
Newhall, CA, 91321

Placerita Canyon Exhibits

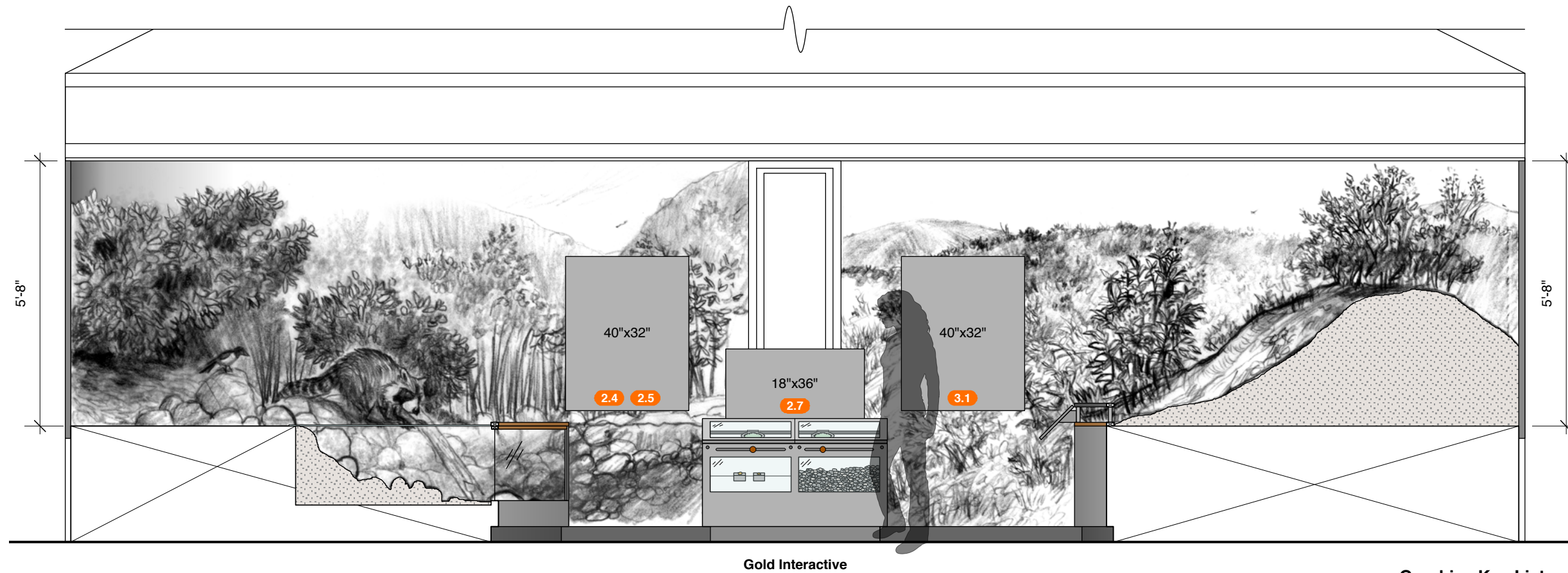
Final Design

Issue Date:
4 February 2014

Revision Date:

2. On the Banks of the Stream & 3. Of Slopes and Chaparral

Ex 02.03

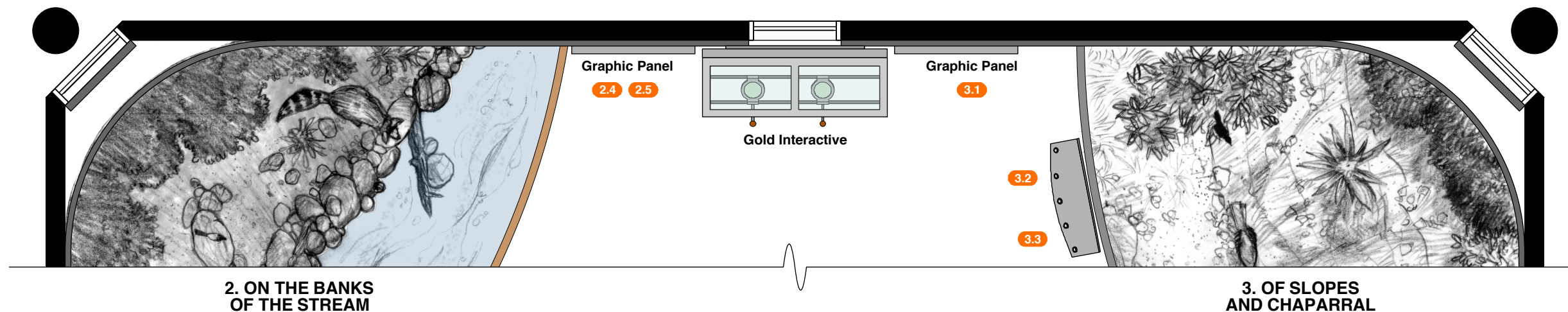


Gold Interactive

1 **Elevation**
Scale: 3/8"=1'-0"

Graphics Key List:

- 2.4** Dreams of Gold
- 2.5** Frank Walker's Legacy
- 2.7** Fields of Gold or Fools Gold? Interactive exhibit
- 3.1** The Secret Life of Chaparral
- 3.2** Reading Rail - 5 Bird Calls via push button audio
- 3.3** Field ID Cards - 6 animal species photos and info



2. ON THE BANKS OF THE STREAM

3. OF SLOPES AND CHAPARRAL

2 **Plan**
Scale: 3/8"=1'-0"

All concepts, designs and plans represented by this document are the property of James Freed & Associates and are for use on the project specified in this document. None of such concepts, designs or plans shall be used by any person, firm or corporation for any purpose without the prior written permission of James Freed & Associates. Copyright 2014.

Placerita Canyon Nature Center



19152 Placerita Canyon Rd.
Newhall, CA, 91321

Placerita Canyon Exhibits

Final Design

Issue Date:
4 February 2014

Revision Date:

3. Of Slopes and Chaparral

Ex 02.04

Of Slopes and Chaparral

Species List:

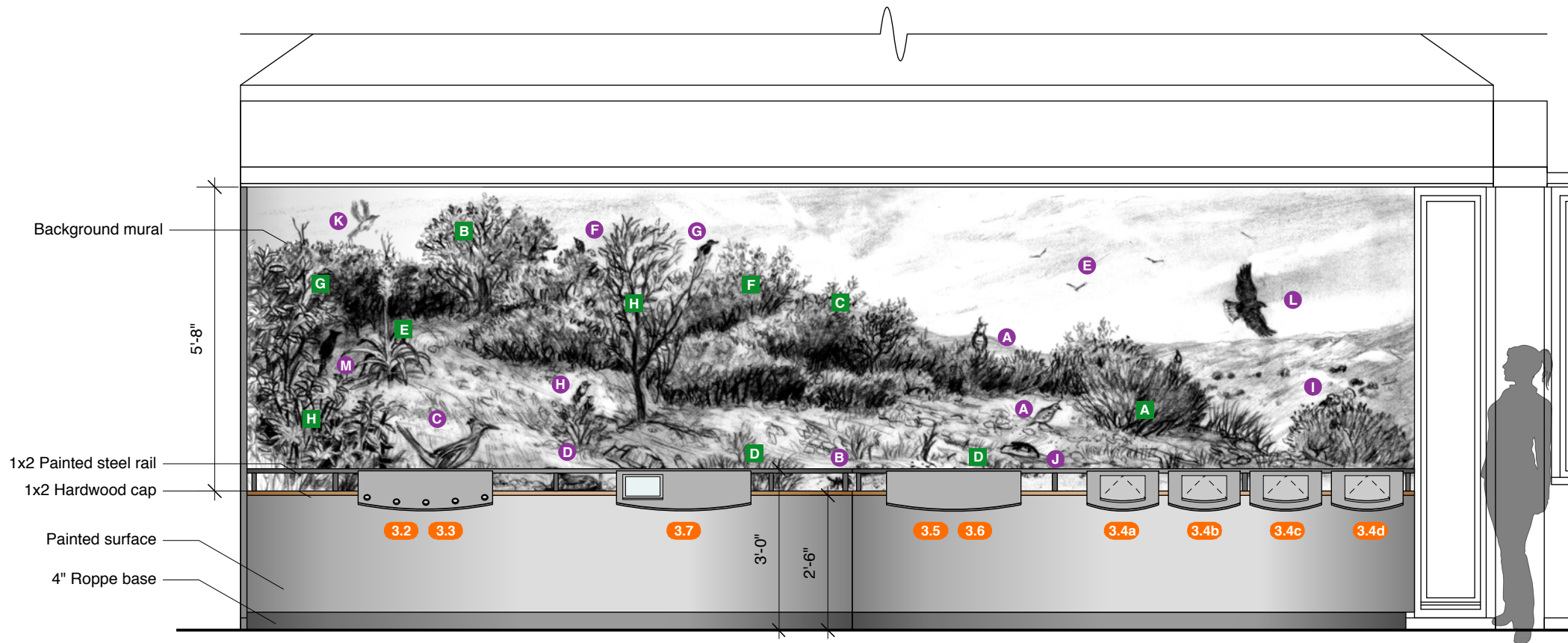
- A** California Quail
 - B** Tarantula
 - C** Roadrunner
 - D** Southern pacific rattlesnake
 - E** Turkey vulture*
 - F** Wrentit
 - G** Spotted towhee
 - H** White-crowned sparrow with juvenile
 - I** Golden-crowned sparrow
 - J** Western fence lizard
 - K** Western scrub jay*
 - L** Red tailed hawk*
 - M** Phainopepla
- * items in mural

Plant List:

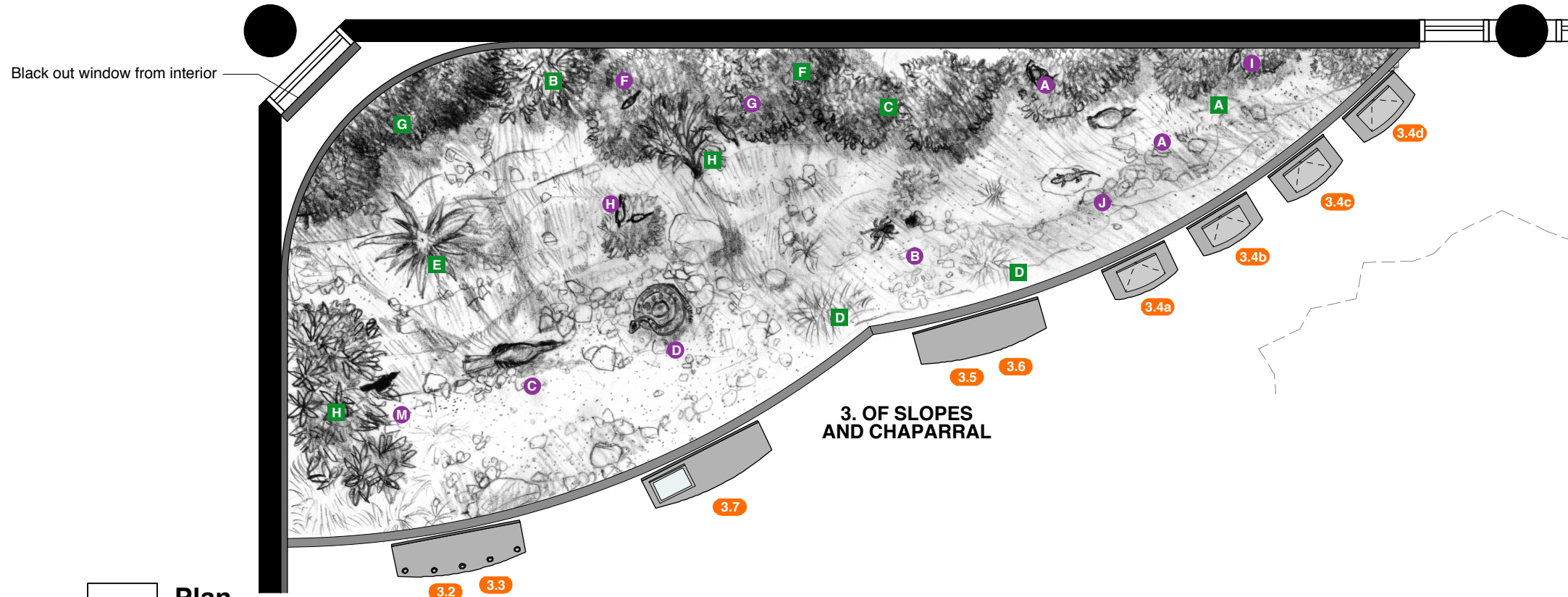
- A** Buckwheat
- B** Ceanothus
- C** Toyon with red berries
- D** Chamise
- E** Yucca
- F** Sage (three species)
- G** Sugar bush
- H** Mountain mahogany

Graphics List:

- 3.2** Reading Rail - 5 Bird Calls via push button audio
- 3.3** Field ID Cards - 6 animal species photos and info
- 3.4a** Flip lid - Yucca plants and pronuba moths
- 3.4b** Flip lid - Deer ticks and western fence lizards
- 3.4c** Flip lid - Roadrunners and Southern Pacific Rattlesnakes
- 3.4d** Flip lid - Coast live oak trees and cynipid wasps
- 3.5** Burning Not Required
- 3.6** Reading Rail - Plants and Fire
- 3.7** Hollywood's Back Lot - iPad video



1 Elevation
Scale: 3/8"=1'-0"



2 Plan
Scale: 3/8"=1'-0"

3. OF SLOPES AND CHAPARRAL

All concepts, designs and plans represented by this document are the property of James Freed & Associates and are for use on the project specified in this document. None of such concepts, designs or plans shall be used by any person, firm or corporation for any purpose without the prior written permission of James Freed & Associates. Copyright 2014.

Placerita Canyon Nature Center



19152 Placerita Canyon Rd.
Newhall, CA, 91321

Placerita Canyon Exhibits

Final Design

Issue Date:
4 February 2014

Revision Date:

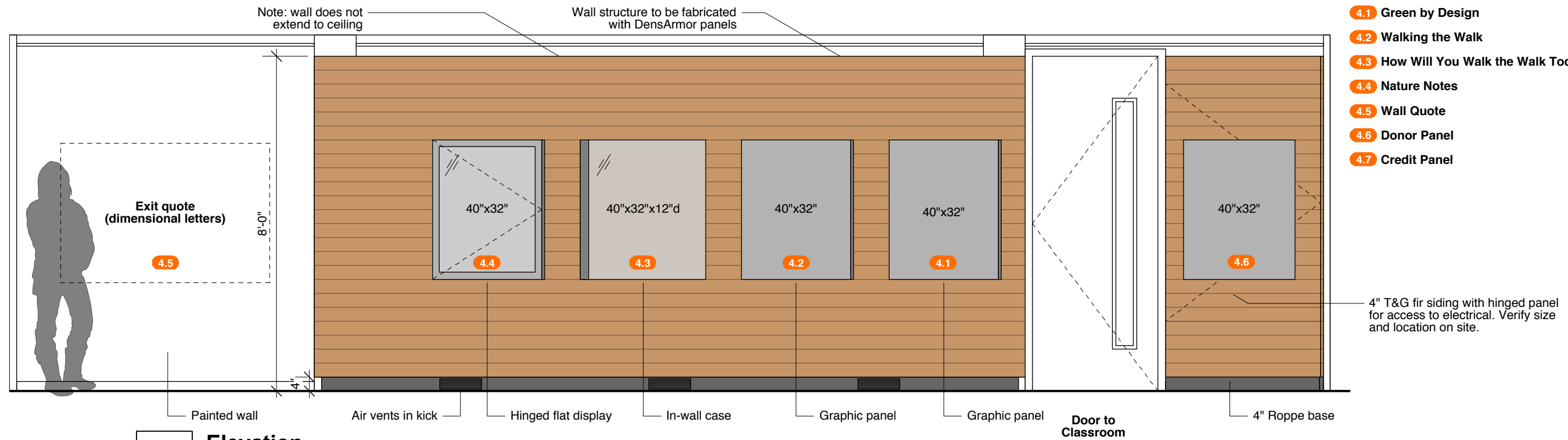
4. Bringing it Home

Ex 02.05

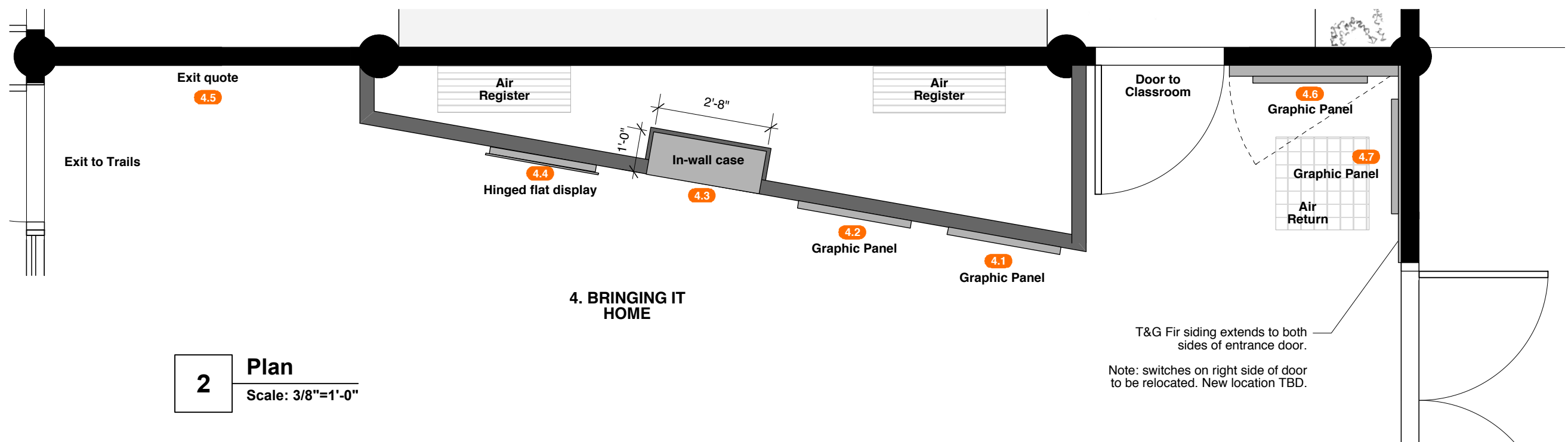
Bringing it Home

Graphics Key List:

- 4.1 Green by Design
- 4.2 Walking the Walk
- 4.3 How Will You Walk the Walk Today?
- 4.4 Nature Notes
- 4.5 Wall Quote
- 4.6 Donor Panel
- 4.7 Credit Panel



1 Elevation
Scale: 3/8"=1'-0"



2 Plan
Scale: 3/8"=1'-0"

4. BRINGING IT HOME

All concepts, designs and plans represented by this document are the property of James Freed & Associates and are for use on the project specified in this document. None of such concepts, designs or plans shall be used by any person, firm or corporation for any purpose without the prior written permission of James Freed & Associates. Copyright 2014.

Placerita Canyon Nature Center



19152 Placerita Canyon Rd.
Newhall, CA, 91321

Placerita Canyon Exhibits

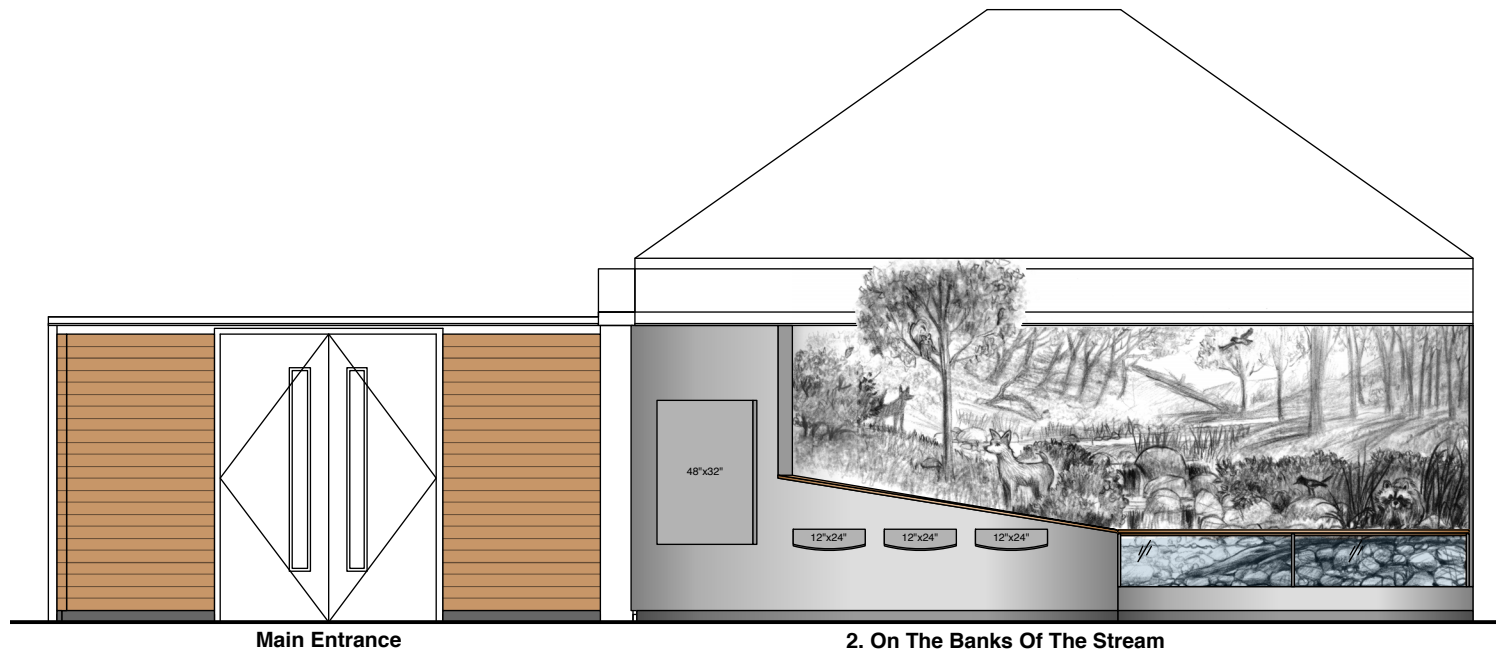
Final Design

Issue Date:
4 February 2014

Revision Date:

Full Perimeter Wall Elevations

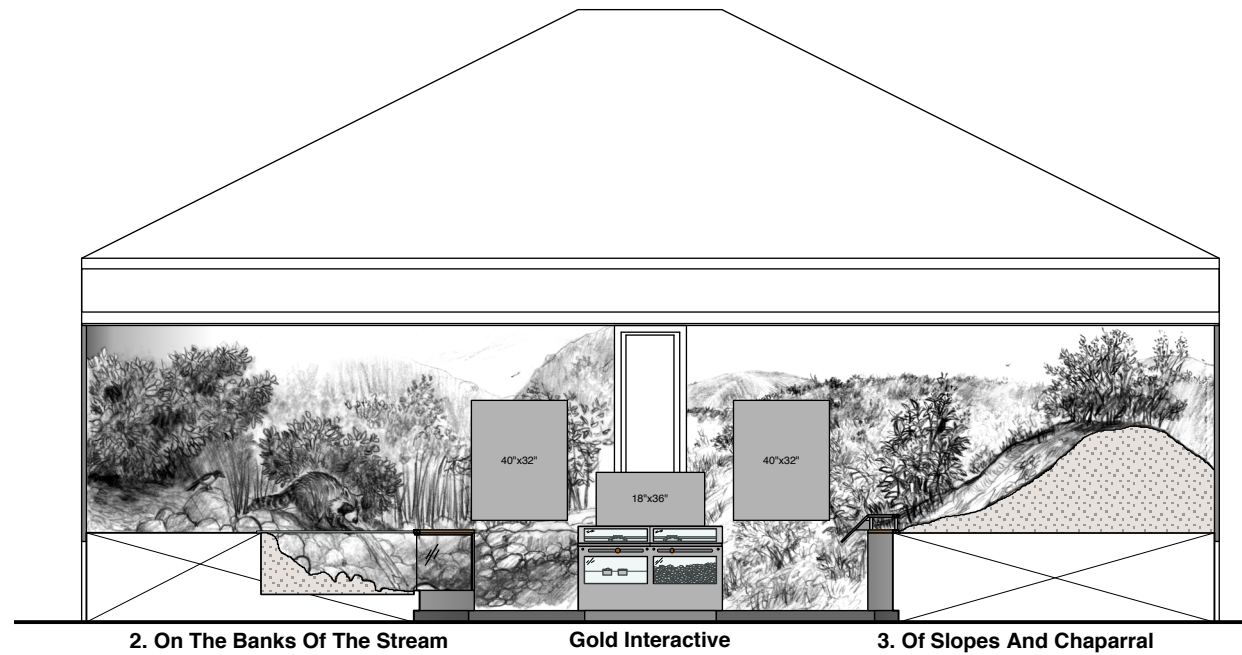
Ex 02.06



Main Entrance

2. On The Banks Of The Stream

1 South Wall
Scale: 3/16" = 1'-0"



2. On The Banks Of The Stream

Gold Interactive

3. Of Slopes And Chaparral

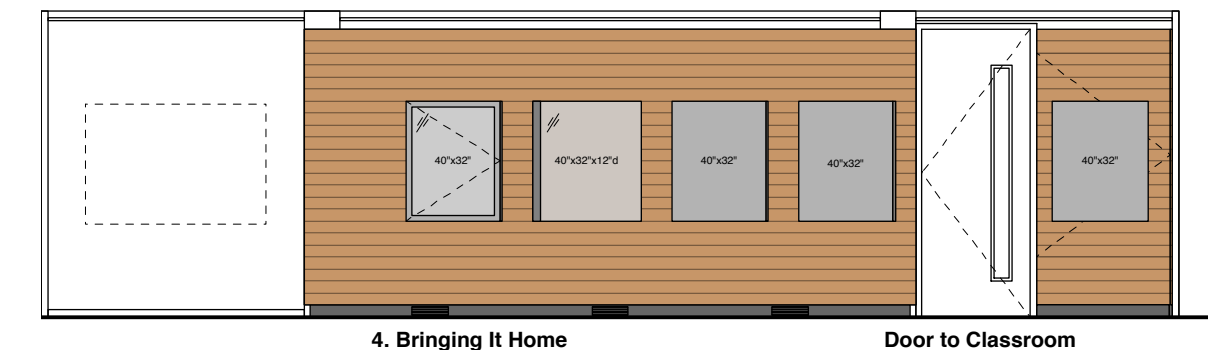
2 West Wall
Scale: 3/16" = 1'-0"



3. Of Slopes And Chaparral

Exit to Trails

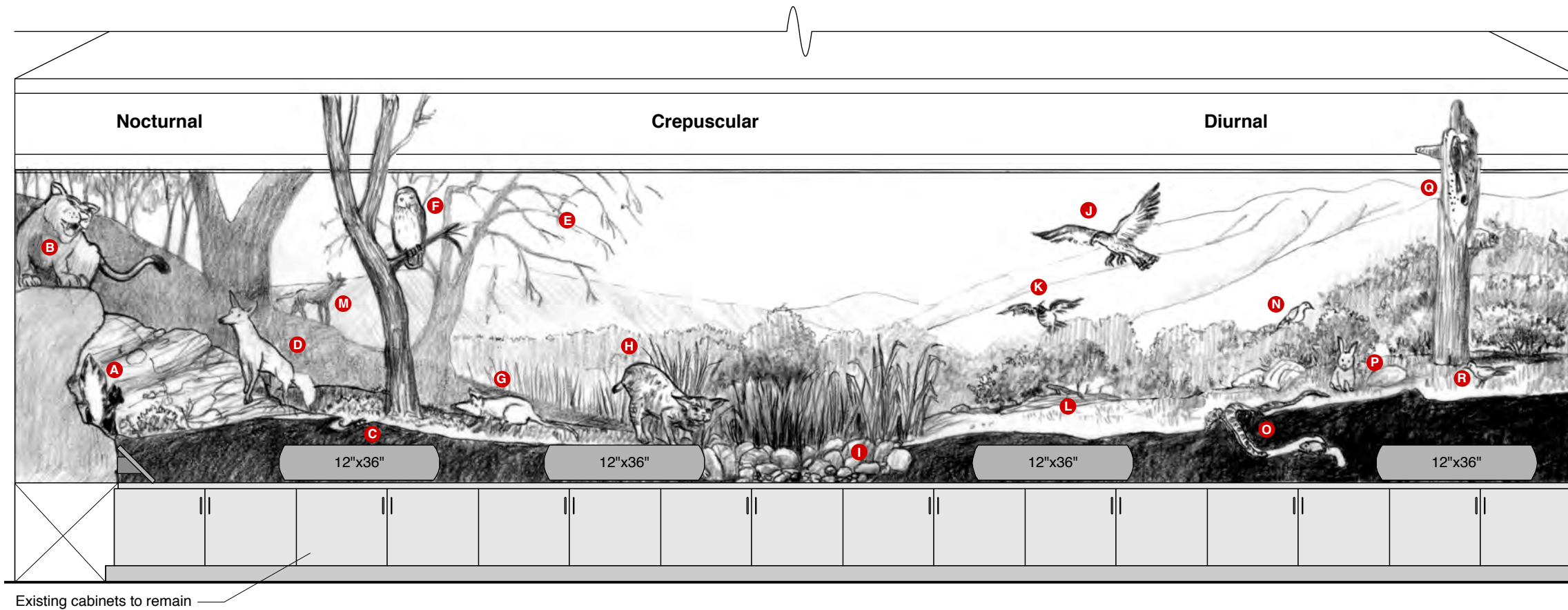
3 North Wall
Scale: 3/16" = 1'-0"



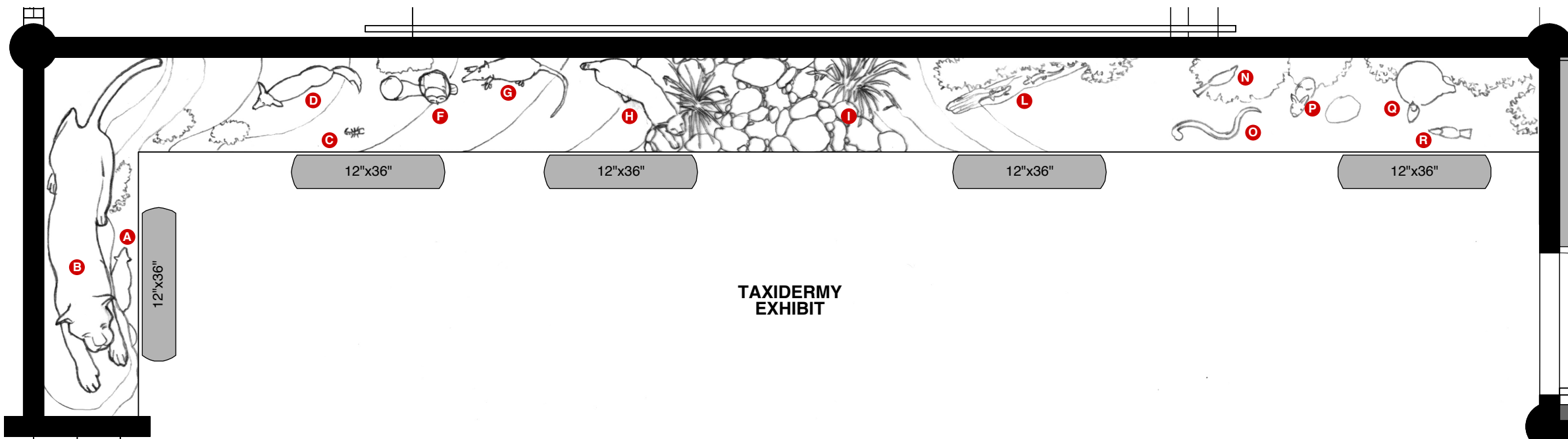
4. Bringing It Home

Door to Classroom

4 East Wall
Scale: 3/16" = 1'-0"



1 Elevation
Scale: 3/8"=1'-0"



2 Plan
Scale: 3/8"=1'-0"

Classroom Taxidermy

Species List:

- A** Striped Skunk
- B** Mountain Lion
- C** Scorpion
- D** Gray Fox
- E** Great Horned Owl*
- F** Barn Owl
- G** Opossum
- H** Bobcat
- I** California Newt
- J** Cooper's Hawk
- K** California Quail
- L** Western Fence Lizards (2)
- M** Coyote*
- N** Scrub Jay
- O** Gopher Snake & Pocket Gopher
- P** Cottontail Rabbit
- Q** Acorn Woodpecker
- R** California Towhee

* items in mural

JAMES FREED & Associates
Exhibit Design

896 Matsuda Lane
Sebastopol, CA 95472
(707) 823-5214
jamesfreed.design@mac.com

All concepts, designs and plans represented by this document are the property of James Freed & Associates and are for use on the project specified in this document. None of such concepts, designs or plans shall be used by any person, firm or corporation for any purpose without the prior written permission of James Freed & Associates. Copyright 2014.

Placerita Canyon Nature Center



19152 Placerita Canyon Rd.
Newhall, CA, 91321

Placerita Canyon Exhibits

Final Design

Issue Date:
4 February 2014

Revision Date:

Classroom

Ex 02.07

**Matter and Energy
Interactive Exhibit**

Graphics Key List:

5.1 Matter Spin Wheel

5.2 Energy Flip Lids

All concepts, designs and plans represented by this document are the property of James Freed & Associates and are for use on the project specified in this document. None of such concepts, designs or plans shall be used by any person, firm or corporation for any purpose without the prior written permission of James Freed & Associates. Copyright 2014.

**Placerita Canyon
Nature Center**



19152 Placerita Canyon Rd.
Newhall, CA, 91321

**Placerita Canyon
Exhibits**

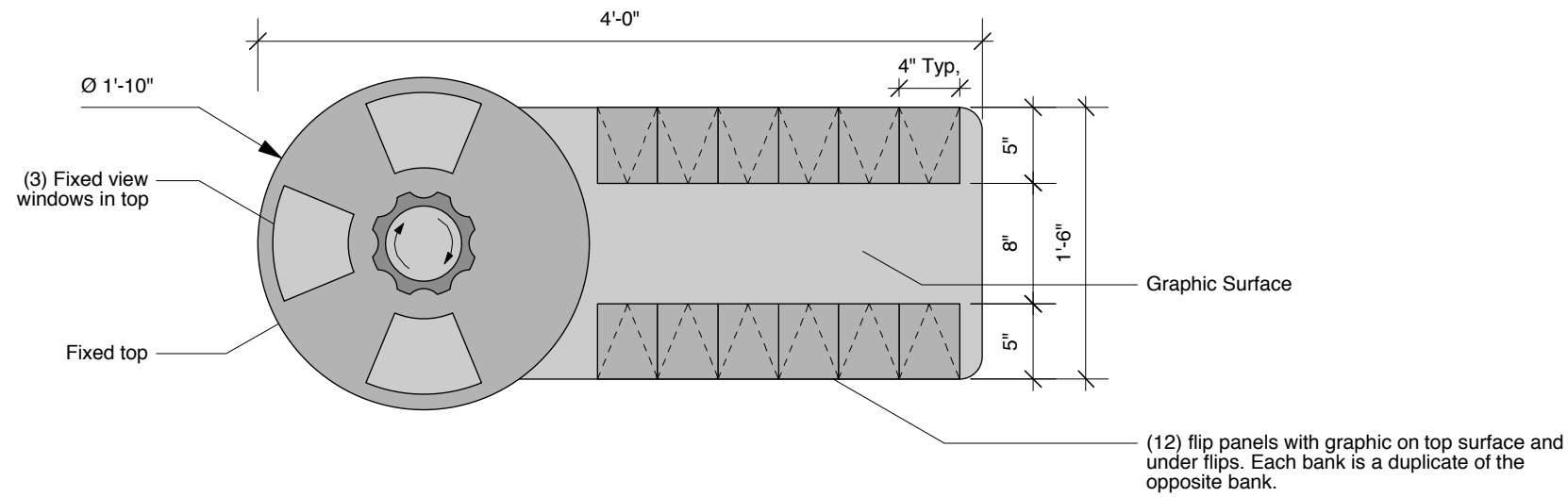
Final Design

Issue Date:
4 February 2014

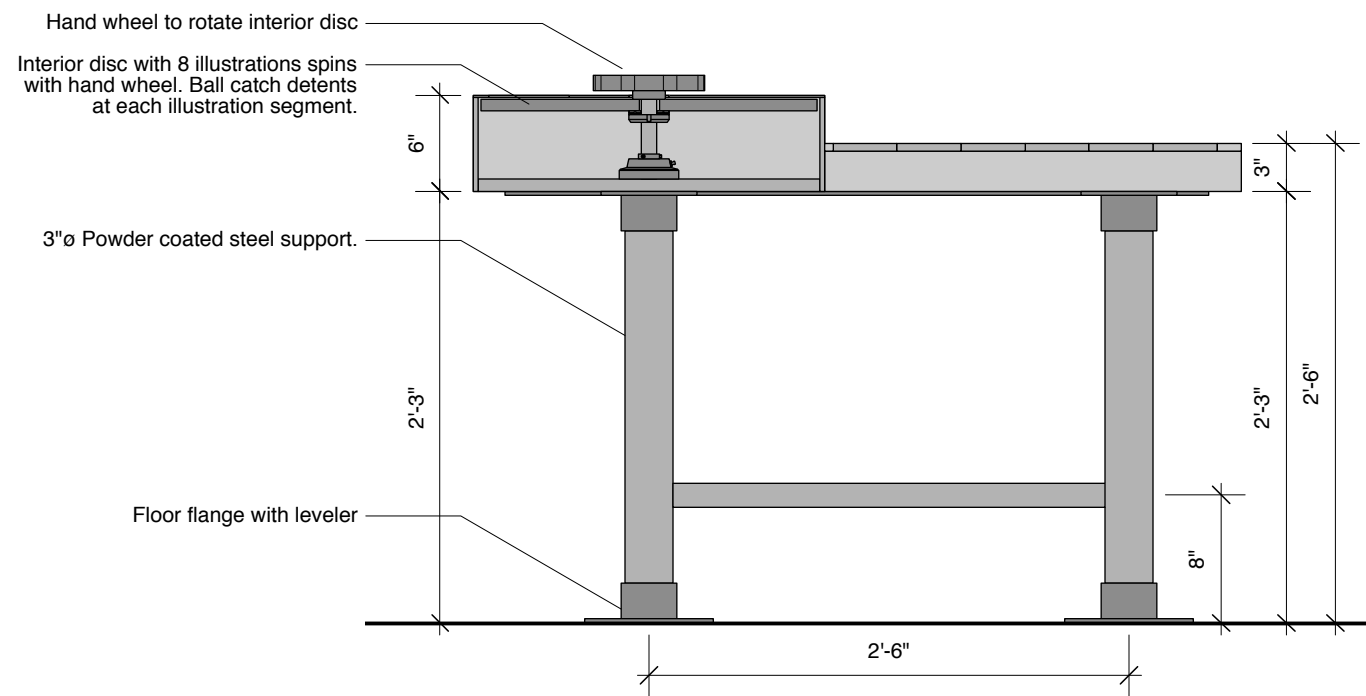
Revision Date:

**5. Matter and Energy
Interactive Exhibit**

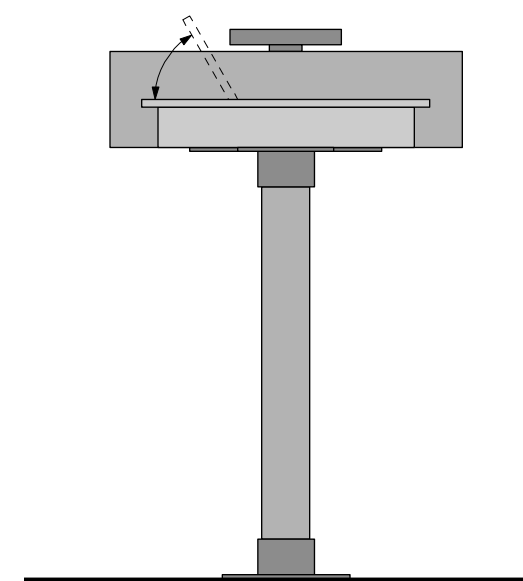
Ex 03.01



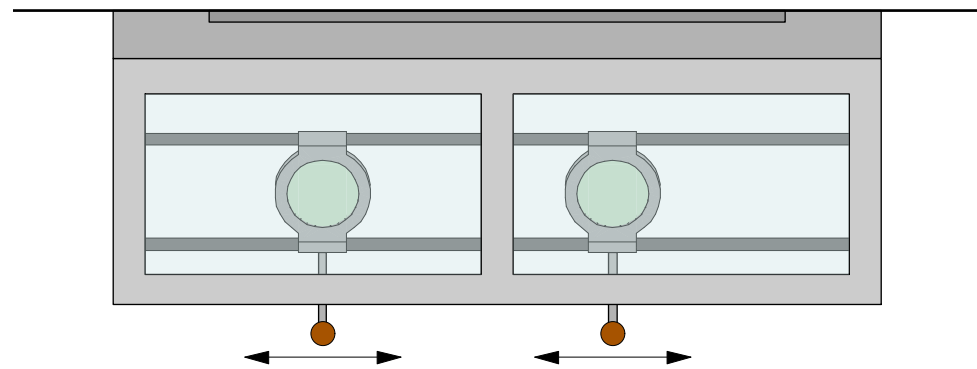
1 Plan
Scale: 1"=1'-0"



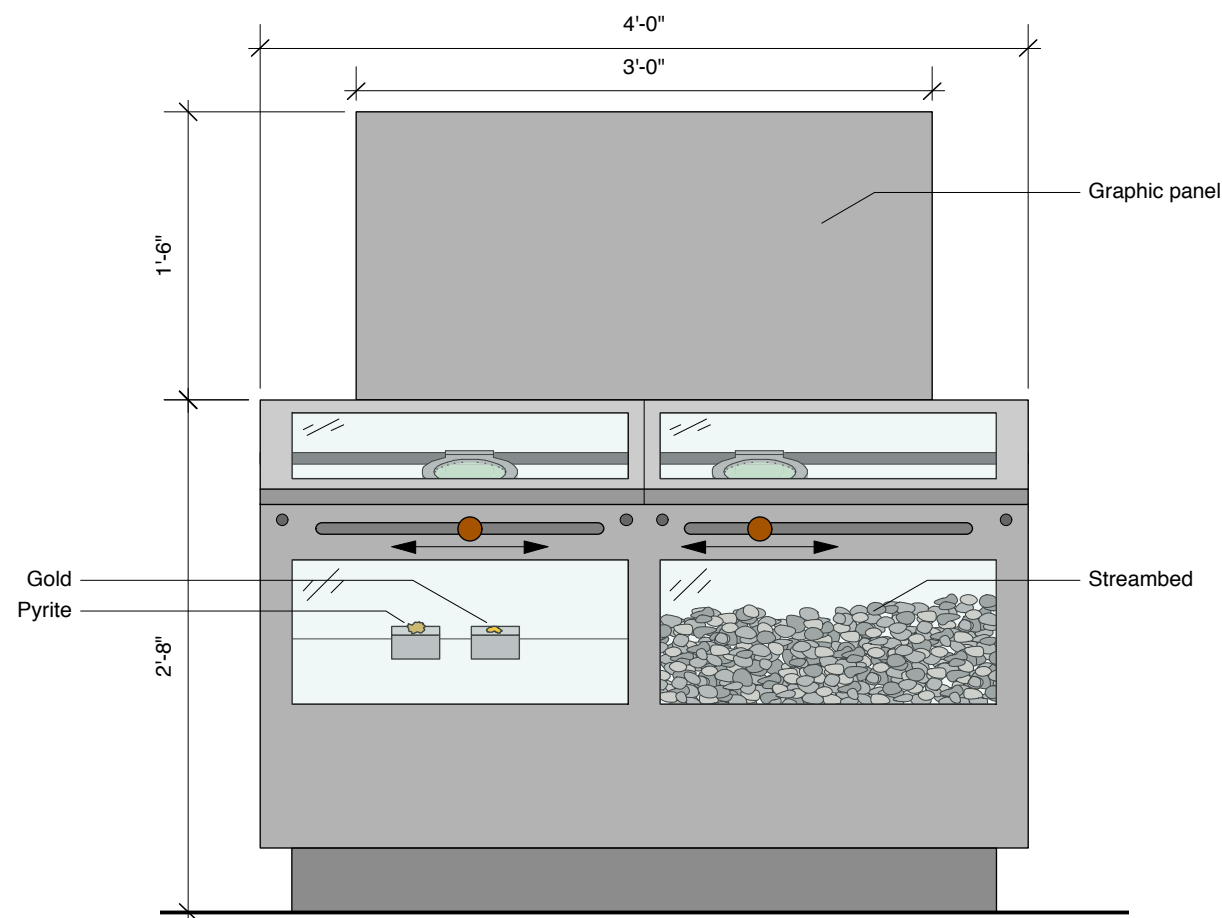
2 Elevation/section
Scale: 1"=1'-0"



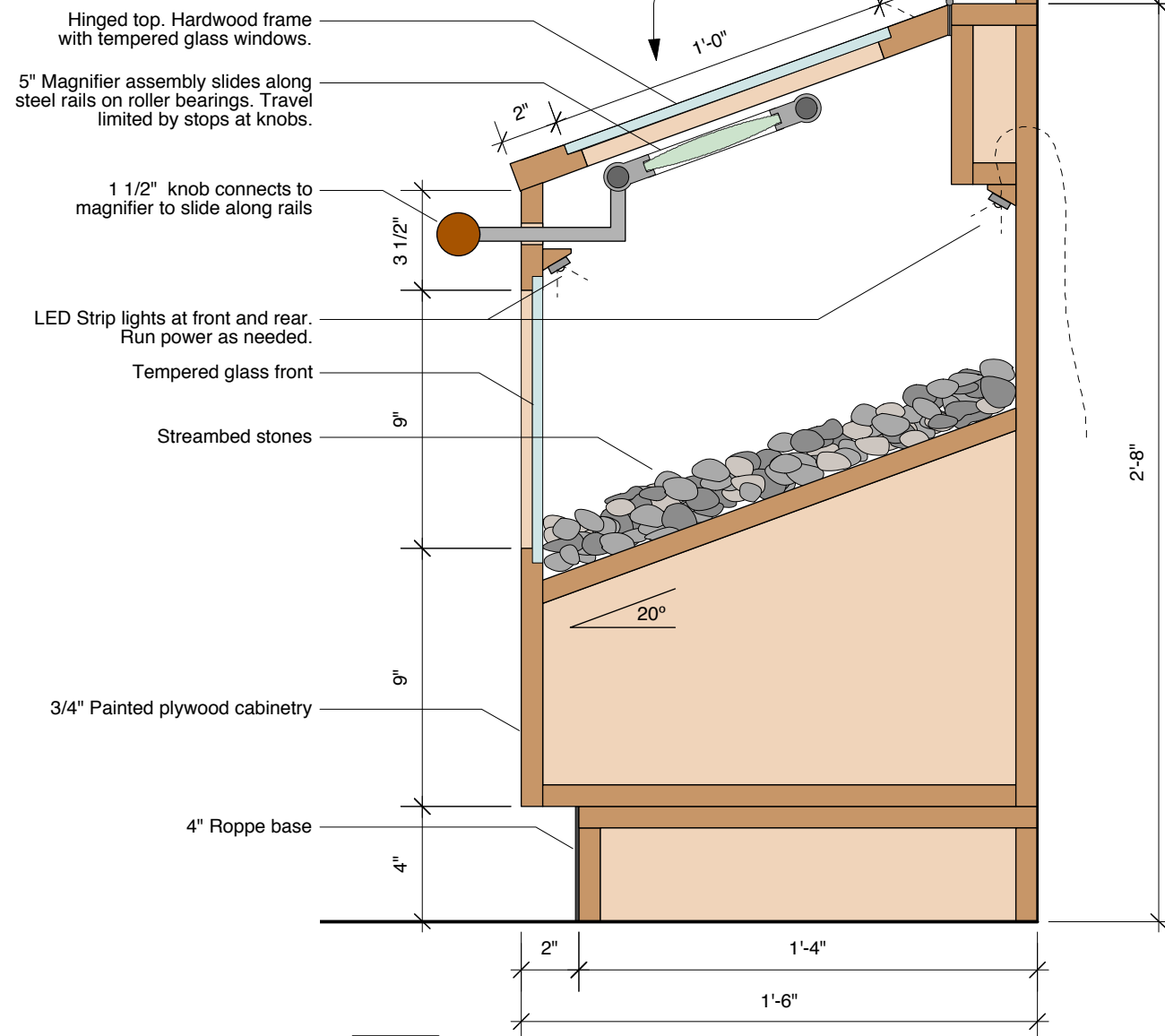
3 Elevation
Scale: 1"=1'-0"



1 Plan
Scale: 1"=1'-0"



2 Front Elevation
Scale: 1"=1'-0"



3 Section
Scale: 2"=1'-0"

All concepts, designs and plans represented by this document are the property of James Freed & Associates and are for use on the project specified in this document. None of such concepts, designs or plans shall be used by any person, firm or corporation for any purpose without the prior written permission of James Freed & Associates. Copyright 2014.

**Placerita Canyon
Nature Center**



19152 Placerita Canyon Rd.
Newhall, CA, 91321

**Placerita Canyon
Exhibits**

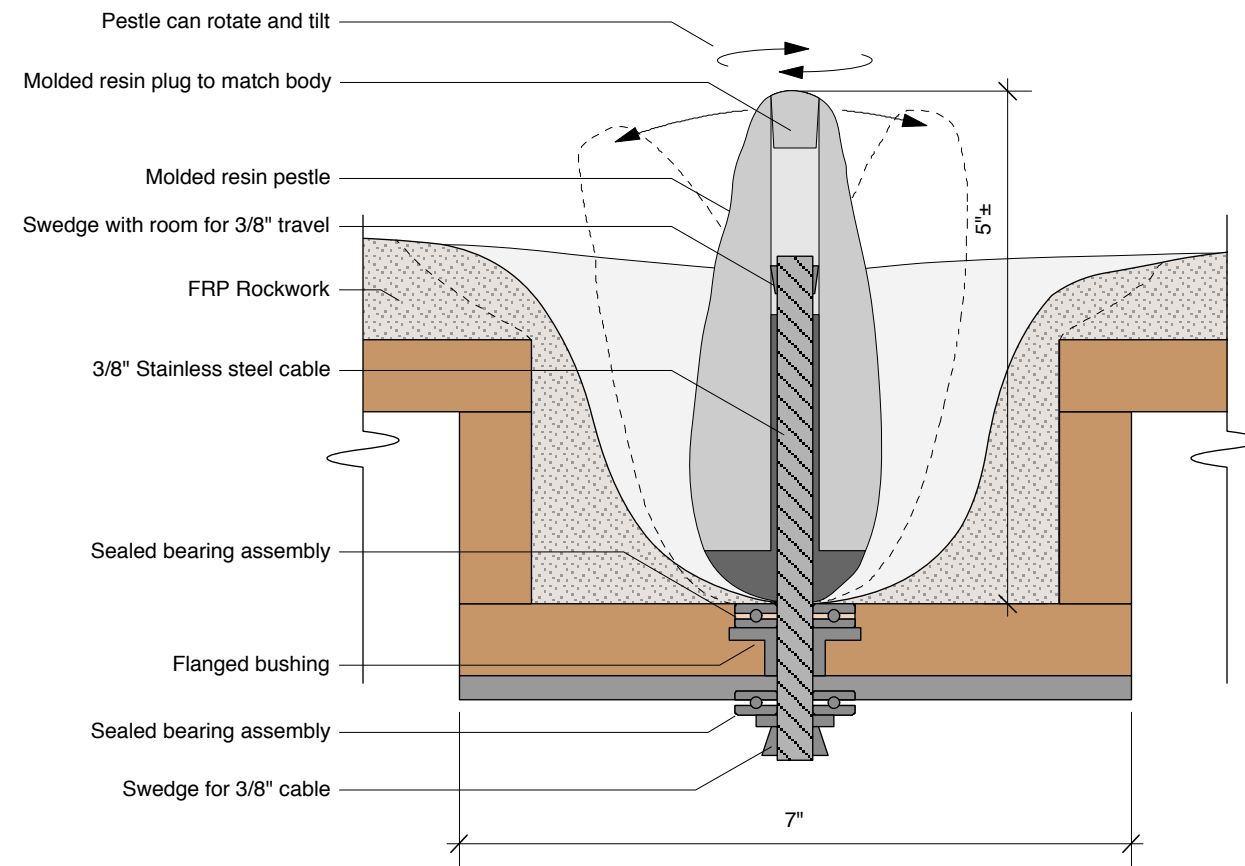
Final Design

Issue Date:
4 February 2014

Revision Date:

**Fields of Gold or
Fool's Gold?
Interactive**

Ex 03.02



1 Section
Scale: Half Full

JAMES FREED
& Associates
Exhibit Design

896 Matsuda Lane
Sebastopol, CA 95472
(707) 823-5214
jamesfreed.design@mac.com

All concepts, designs and plans represented by this document are the property of James Freed & Associates and are for use on the project specified in this document. None of such concepts, designs or plans shall be used by any person, firm or corporation for any purpose without the prior written permission of James Freed & Associates. Copyright 2014.

**Placerita Canyon
Nature Center**



19152 Placerita Canyon Rd.
Newhall, CA, 91321

**Placerita Canyon
Exhibits**

Final Design

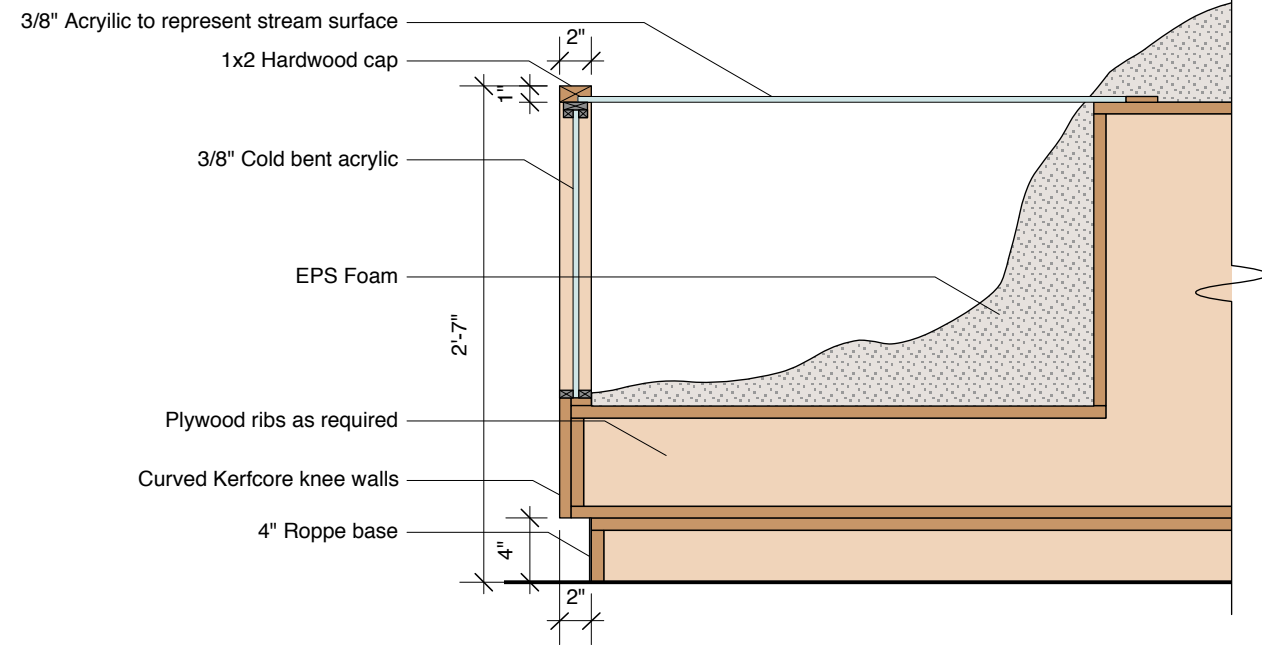
Issue Date:
4 February 2014

Revision Date:

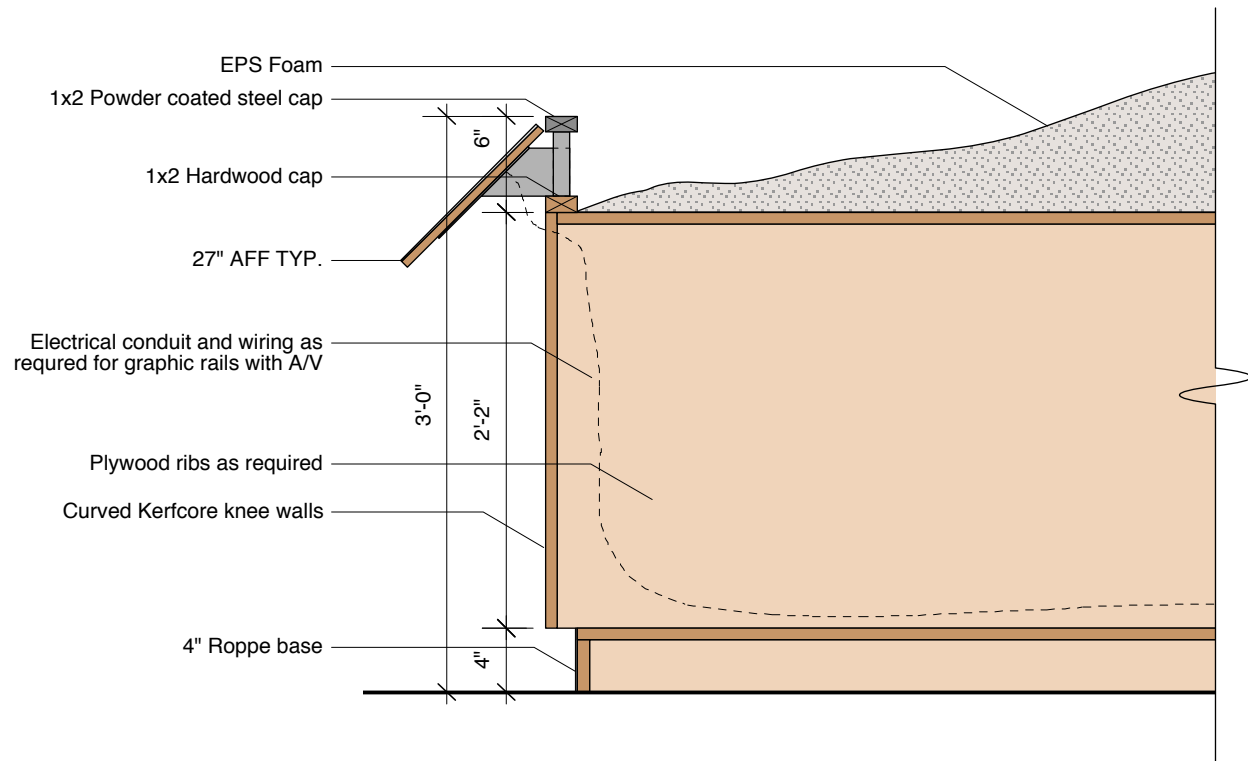
**Mortar Stone
Interactive**

Ex 03.03

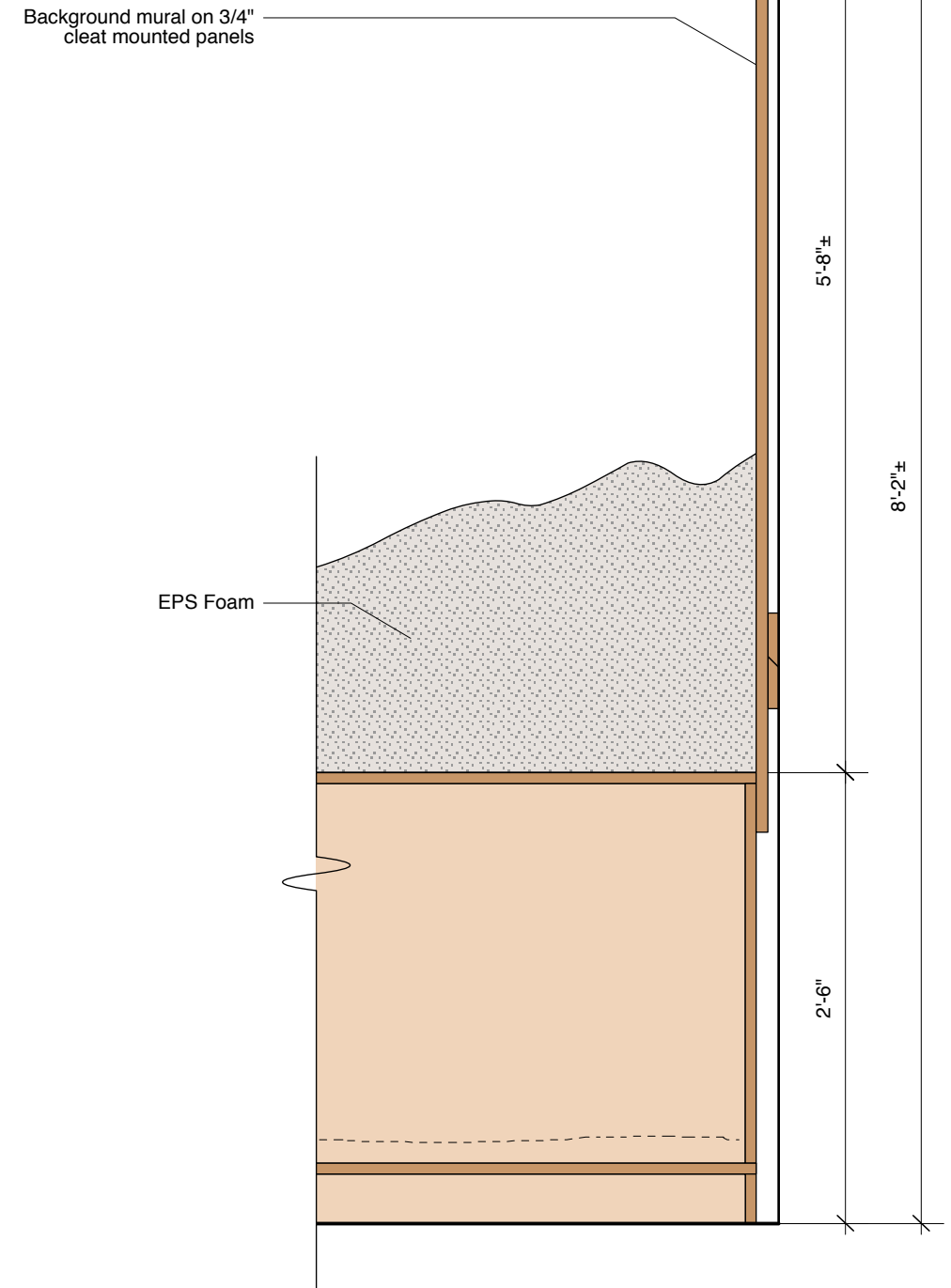
Note: See physical model for topography of each diorama



1 Section through Stream Diorama
 Scale: 1"=1'-0"



2 Section through Front of Diorama
 Scale: 1"=1'-0"



3 Section through Diorama and Mural
 Scale: 1"=1'-0"

JAMES FREED & Associates
 Exhibit Design

896 Matsuda Lane
 Sebastopol, CA 95472
 (707) 823-5214
 jamesfreed.design@mac.com

All concepts, designs and plans represented by this document are the property of James Freed & Associates and are for use on the project specified in this document. None of such concepts, designs or plans shall be used by any person, firm or corporation for any purpose without the prior written permission of James Freed & Associates. Copyright 2014.

Placerita Canyon Nature Center



19152 Placerita Canyon Rd.
 Newhall, CA, 91321

Placerita Canyon Exhibits

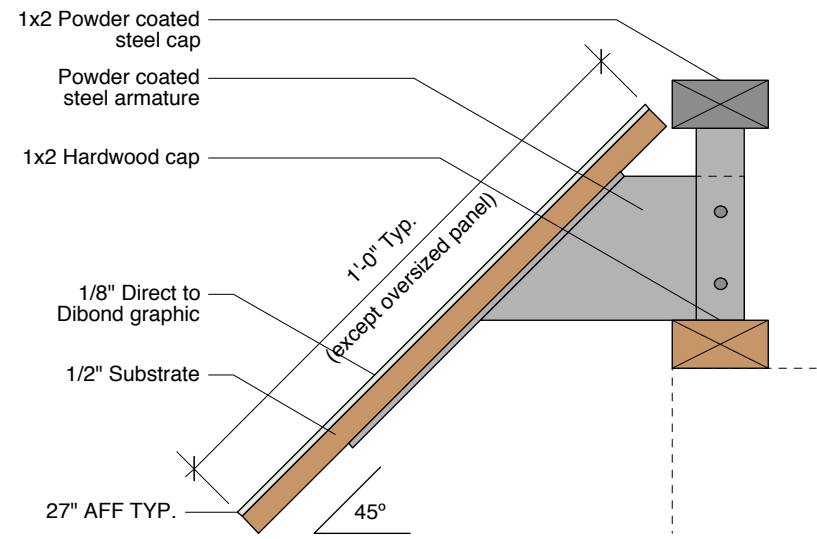
Final Design

Issue Date:
4 February 2014

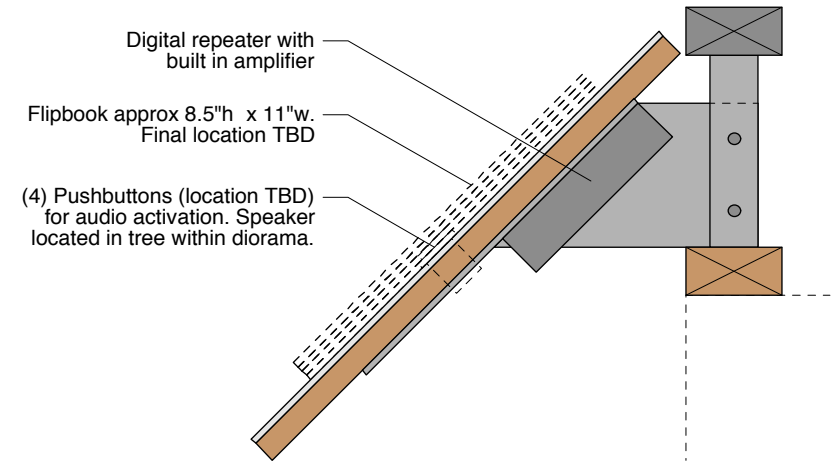
Revision Date:

Diorama Sections

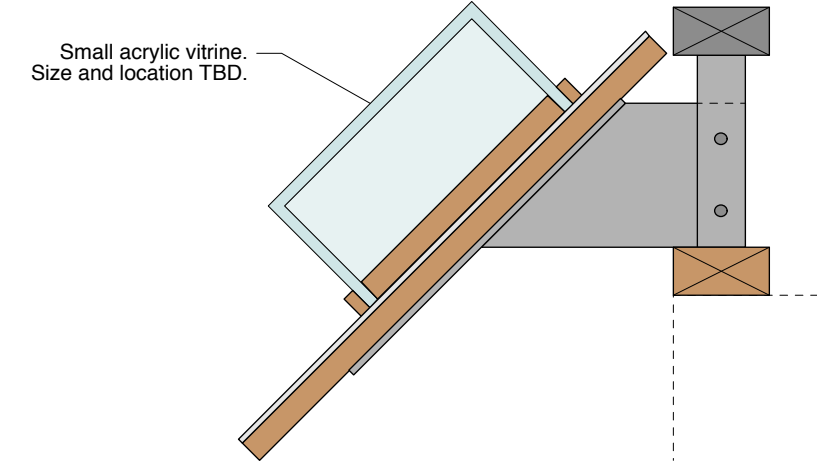
Ex 04.00



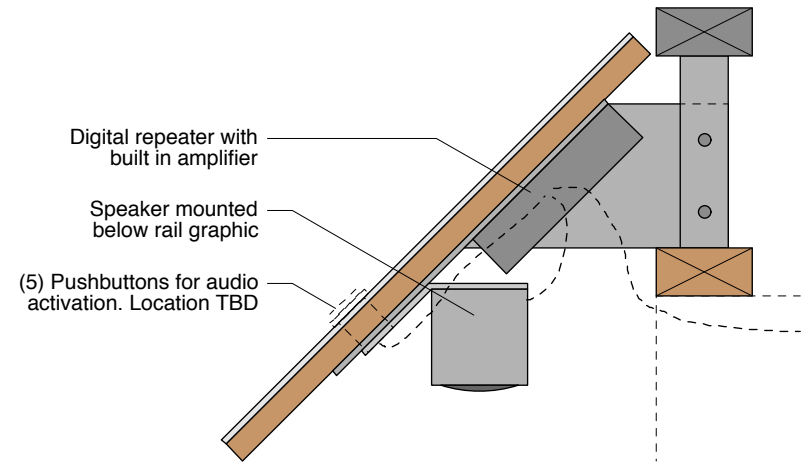
Graphic rail only



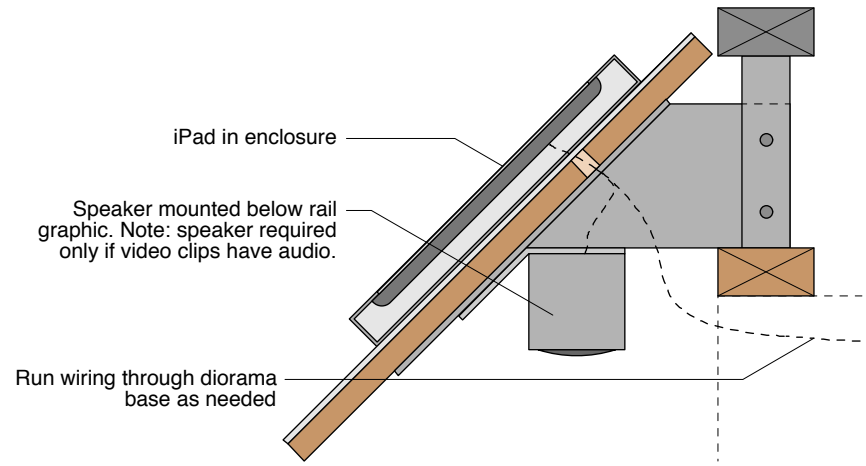
Graphic rail with flip book and pushbutton audio interactive



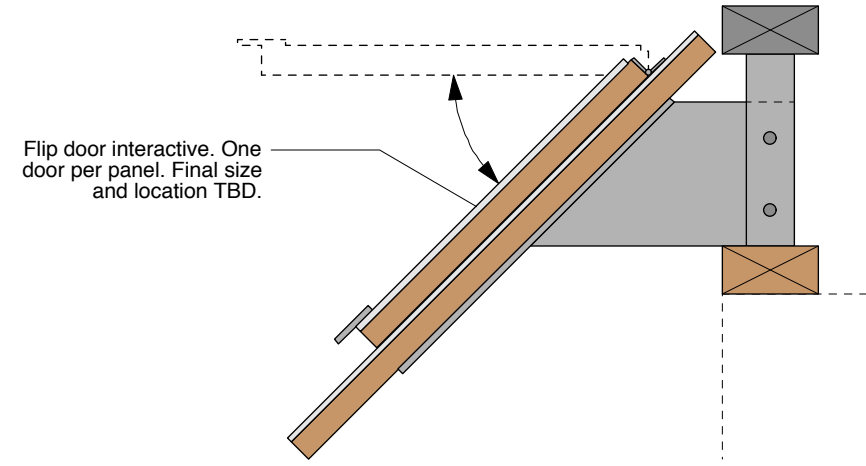
Graphic rail with acrylic case



Graphic rail with pushbutton audio interactive



Graphic rail with iPad interactive



Graphic rail with flip door interactive

1 Graphic Rail Sections
Scale: 1/2"=1'-0"

All concepts, designs and plans represented by this document are the property of James Freed & Associates and are for use on the project specified in this document. None of such concepts, designs or plans shall be used by any person, firm or corporation for any purpose without the prior written permission of James Freed & Associates. Copyright 2014.

Placerita Canyon Nature Center



19152 Placerita Canyon Rd.
Newhall, CA, 91321

Placerita Canyon Exhibits

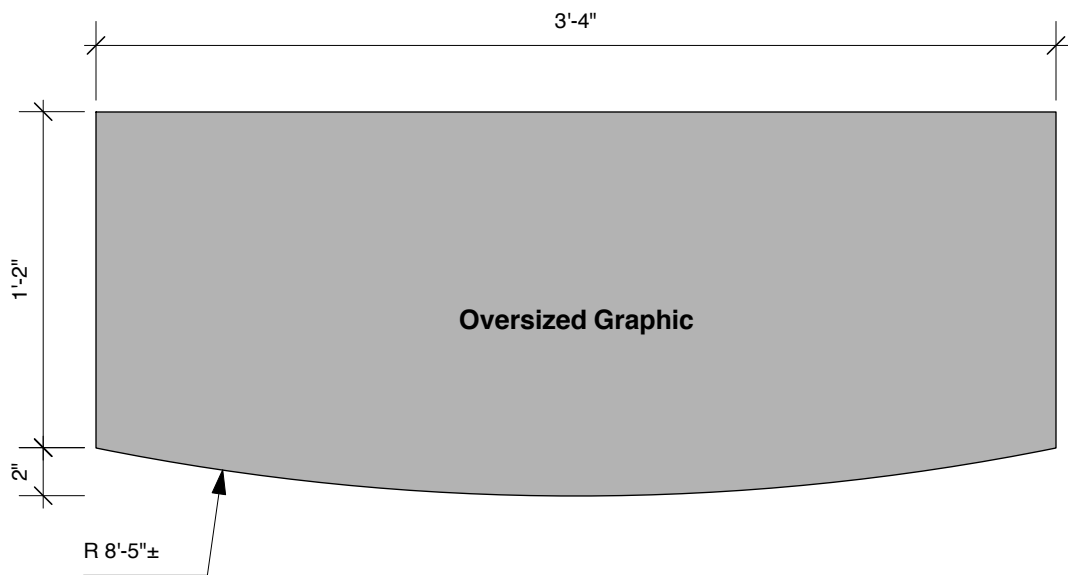
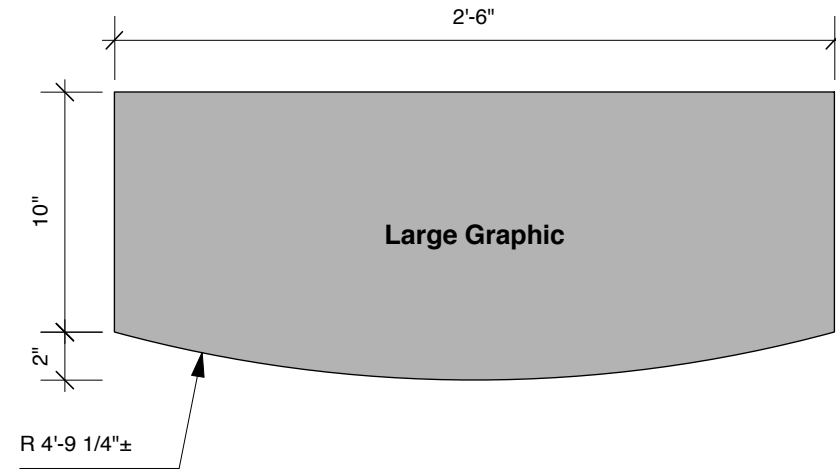
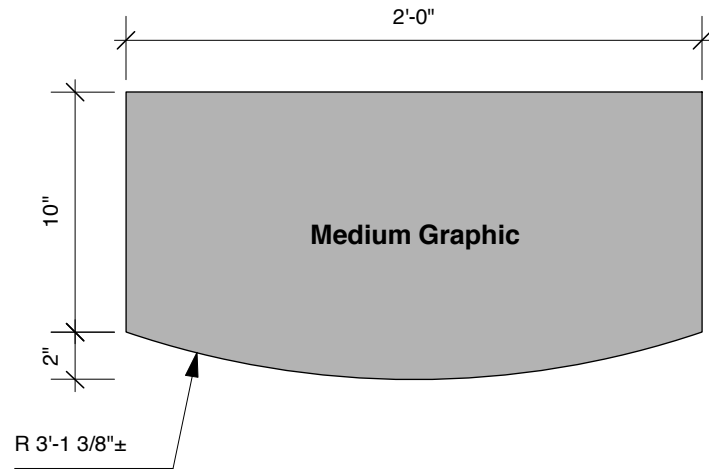
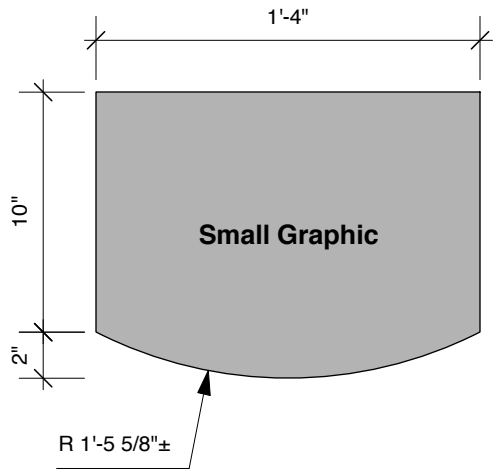
Final Design

Issue Date:
4 February 2014

Revision Date:

Graphic Rail Sections

Ex 04.01



1 **Graphic Rail Base Shapes**
Scale: 1 1/2"=1'-0"

JAMES FREED
& Associates
Exhibit Design

896 Matsuda Lane
Sebastopol, CA 95472
(707) 823-5214
jamesfreed.design@mac.com

All concepts, designs and plans represented by this document are the property of James Freed & Associates and are for use on the project specified in this document. None of such concepts, designs or plans shall be used by any person, firm or corporation for any purpose without the prior written permission of James Freed & Associates. Copyright 2014.

**Placerita Canyon
Nature Center**



19152 Placerita Canyon Rd.
Newhall, CA, 91321

**Placerita Canyon
Exhibits**

Final Design

Issue Date:
4 February 2014

Revision Date:

**Graphic Rail Base
Shapes**

Ex 04.02